

Industrial Specification Grade Hart-Lock® Locking Devices

2 Pole, 3 Wire Grounding
NEMA L5-30, 30A 125V
NEMA L6-30, 30A 250V
NEMA L7-30, 30A 277V
NEMA L8-30, 30A 480V
NEMA L9-30, 30A 600V



INDUSTRIAL
COMMERCIAL

E-12 LOCKING DEVICES

TESTING & CODE COMPLIANCE

- Listed to UL 498 (file no. E2369).
- CSA Certified to C22.2 no. 42 (file no. LR7087).

MATERIAL CHARACTERISTICS

Glass filled Nylon.
Environmental:
Flammability per
UL 94 requirements,
V0 rated.
Temperature Rating:
-40°C to 105°C.

30A 2 Pole, 3 Wire Grounding Industrial Specification Grade Locking Receptacles

FEATURES

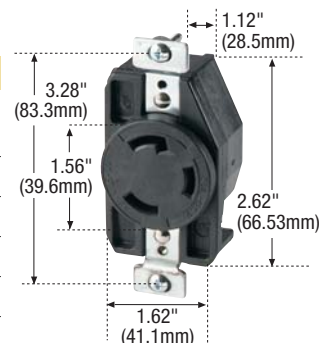
- Rugged fiberglass reinforced nylon body and face.
- Clearly marked rating, NEMA configuration and approval listings on receptacle face.
- One piece brass contacts offer superior performance and minimum heat rise.
- Back wire terminal clamps for easy secure wiring.
- Combination head screws standard – slot/Phillips in the U.S.
- Add -C to catalog number for Canadian screws – slot/Robertson head combination.
- Safety ground clip provided for fast installation.

Industrial Specification Grade Single Receptacles – Back and Side Wire

Rating	A	V/AC	NEMA	Description	Color	Catalog No.
30	125	L5-30	Standard	Black	CWL530R*	
			Corrosion Resistant	Yellow	CRL530R*	
			Isolated Ground	Orange	IGL530R	
30	250	L6-30	Standard	Black	CWL630R*	
			Corrosion Resistant	Yellow	CRL630R*	
			Isolated Ground	Orange	IGL630R	
30	277	L7-30	Standard	Black	CWL730R*	
			Isolated Ground	Orange	IGL730R	
30	480	L8-30	Standard	Black	CWL830R*	
			Isolated Ground	Orange	IGL830R	
30	600	L9-30	Standard	Black	CWL930R	

*UL Listed to Federal Spec. WC-596F

NOTE: Weather Protective Covers from Cooper Wiring Devices that may be used with these products are described on page E-71 in this section.



CWL530R



CWL630R





Industrial Specification Grade Hart-Lock® Locking Devices

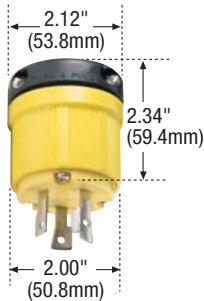
2 Pole, 3 Wire Grounding
NEMA FSL1-30, 30A 28V/DC
NEMA FSL2-30, 30A 120V
NEMA L5-30, 30A 125V
NEMA L6-30, 30A 250V
NEMA L7-30, 30A 277V
NEMA L8-30, 30A 480V
NEMA L9-30, 30A 600V



CWL530P



CWL730P



CRL530P

30A 2 Pole, 3 Wire Grounding Industrial Specification Grade Plugs and Connectors

FEATURES

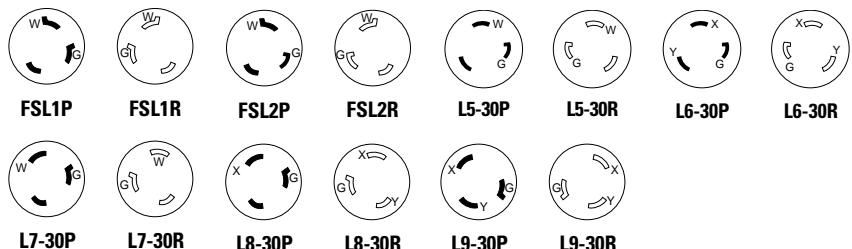
- Back wire Dead-Front design.
- Neoprene gasket seals cord hole from dust and debris.
- Inserts included for three separate cord grip ranges.
- Back wire terminal clamps for easy secure wiring.
- Individual wiring compartments with tapered channel for easy insertion of wires.
- Clear cover over wiring compartments allow easy inspection of wiring terminations.
- Combination head screws standard – slot/Phillips in the U.S.
- Add -C to catalog number for Canadian screws – slot/Robertson head combination.

Industrial Specification Grade Locking Plugs and Connectors

Rating A	V/AC	NEMA	Description/ Cord Diameter	Color	Catalog No. Plug	Connector
30	28V/DC	FSL1-30	Straight: 0.30"-0.95" (7.6mm-24.1mm)	Black & White	FSL130P*	FSL130C*
30	120, 400Hz	FSL2-30	Straight: 0.30"-0.95" (7.6mm-24.1mm)	Black & White	FSL230P*	FSL230C*
30	125	L5-30	Straight: 0.38"-1.00" (9.5mm-25.4mm)	Black & White	CWL530P	CWL530C
			Straight: 0.38"-1.00" (9.5mm-25.4mm)	Black	6332BK	6334BK
			Corrosion Resistant: 0.38"-1.00" (9.5mm-25.4mm)	Yellow	CRL530P	CRL530C
30	250	L6-30	Straight: 0.38"-1.00" (9.5mm-25.4mm)	Black & White	CWL630P	CWL630C
			Corrosion Resistant: 0.38"-1.00" (9.5mm-25.4mm)	Yellow	CRL630P	CRL630C
30	277	L7-30	Straight: 0.38"-1.00" (9.5mm-25.4mm)	Black & White	CWL730P	CWL730C
30	480	L8-30	Straight: 0.38"-1.00" (9.5mm-25.4mm)	Black & White	CWL830P	CWL830C
30	600	L9-30	Straight: 0.30"-0.95" (7.6mm-24.1mm)	Black & White	CWL930P*	CWL930C*

*UL (file no. E1381), CSA (file no. LR16215).

NOTE: Weather Protective Boots from Cooper Wiring Devices that may be used with these products are described on page E-72.



INDUSTRIAL
COMMERCIAL

E-13
LOCKING
DEVICES

TESTING & CODE COMPLIANCE

· Listed to UL 498
(file no. E3663).
· cUL Certified to
CSA C22.2 no. 42
(file no. E3663)
except as noted.

MATERIAL CHARACTERISTICS

Nylon.
Temperature Rating:
-40°C to 75°C;
except CWL930P,
CWL930C,
-40°C to 60°C.