



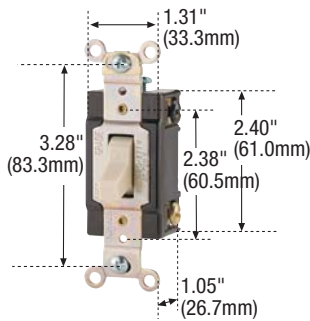
Commercial Specification Grade Switches

**15, 20A
120/277V/AC
Grounding**

AC Quiet Switches

FEATURES

- Industrial design cam action mechanism insures quiet switch action.
- Tapered lead-in slots on back wiring holes assist in gathering stranded wires for faster, more secure connections.
- Side wire and back wire terminals accept up to #10 solid or stranded wire.
- Terminal screws backed out – ready for wiring.
- 120/277V/AC rating ideal for fluorescent lighting fixtures typical in commercial applications.
- 0.050" (1.27mm) thick steel mounting strap zinc-plated for corrosion resistance.
- Ground screw terminal standard.
- Combination slot/Phillips head mounting and terminal screws ease installation. (slot/Robertson screws in Canada where available).



CSB120

Back and Side Wire

Rating A	V/AC	Color	Catalog No.			
			Single-Pole	Double-Pole	3-Way	4-Way
15	120/277	Brown	CSB115B	CSB215B	CSB315B	CSB415B
		Gray	CSB115GY	CSB215GY	CSB315GY	CSB415GY
		Ivory	CSB115V	CSB215V	CSB315V	CSB415V
		White	CSB115W	CSB215W	CSB315W	CSB415W
20	120/277	Brown	CSB120B	CSB220B	CSB320B	CSB420B
		Gray	CSB120GY	CSB220GY	CSB320GY	CSB420GY
		Ivory	CSB120V	CSB220V	CSB320V	CSB420V
		White	CSB120W	CSB220W	CSB320W	CSB420W

Horsepower Rated for Motor Loads per UL 20

	120V/AC	240V/AC	Max Amps
15A	1/2 HP	2 HP	12A
20A	1 HP	2 HP	16A

INDUSTRIAL
COMMERCIAL
RESIDENTIAL

**D-9
SWITCHES**

TESTING & CODE COMPLIANCE

- UL 20 Listed (file no. E18704), meets Federal Spec. WS-896.
- CSA (file no. 10016 (6241-05)). Meets all CSA requirements, C22.2 no. 111

MATERIAL CHARACTERISTICS

Temperature Rating:
-40°C to 65°

Commercial Specification Grade Switches

15, 20A
120/277V/AC
Grounding



INDUSTRIAL
COMMERCIAL
RESIDENTIAL

D-10
SWITCHES

AC Quiet Switches

FEATURES

- Industrial design cam action mechanism insures quiet switch action.
- Side wire terminals accept up to #10 solid or stranded wire.
- Terminal screws backed out —ready for wiring.
- 120/277V/AC rating ideal for fluorescent lighting fixtures typical in commercial applications.
- 0.050" (1.27mm) thick steel mounting strap zinc-plated for corrosion resistance.
- Lighted switches glow in "off" position.
- Ground screw terminal standard.
- Combination slot/Phillips head mounting and terminal screws ease installation. (slot/Robertson screws in Canada where available).
- Color-coded strap marking identifies amperage: Blue=15 amp, Red=20 amp.

Side Wire

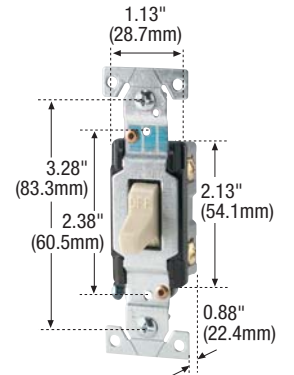
Rating A	V/AC	Color	Catalog No.			
			Single-Pole	Double-Pole	3-Way	4-Way
15	120/277	Almond	CS115A	CS215A	CS315A	CS415A
		Black	CS115BK	—	CS315BK	—
		Brown	CS115B	CS215B	CS315B	CS415B
		Gray	CS115GY	CS215GY	CS315GY	CS415GY
		Ivory	CS115V	CS215V	CS315V	CS415V
		White	CS115W	CS215W	CS315W	CS415W
20	120/277	Almond	CS120A	CS220A	CS320A	CS420A
		Black	CS120BK	—	CS320BK	—
		Brown	CS120B	CS220B	CS320B	CS420B
		Gray	CS120GY	CS220GY	CS320GY	CS420GY
		Ivory	CS120V	CS220V	CS320V	CS420V
		White	CS120W	CS220W	CS320W	CS420W

Lighted Toggle - Side Wire

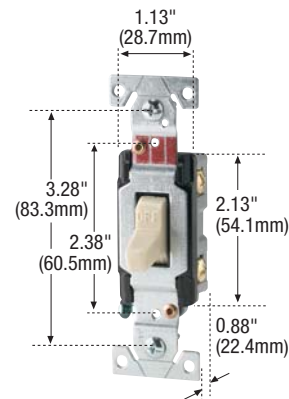
Rating A	V/AC	Color	Catalog No.			
			Single-Pole	Double-Pole	3-Way	4-Way
20	120/277	Ivory	CS120LTV	—	CS320LTV	—
		White	CS120LTW	—	CS320LTW	—

Horsepower Rated for Motor Loads per UL 20

	120V/AC	240V/AC	Max Amps
15A	1/2 HP	2 HP	12A
20A	1 HP	2 HP	16A



CS115



CS120

TESTING & CODE COMPLIANCE

- UL 20 Listed (file no. E18704), meets Federal Spec. WS-896.
- CSA (file no. 10016 (6241-05)). Meets all CSA requirements, C22.2 no. 111
- NOM Certified.

MATERIAL CHARACTERISTICS

Temperature Rating:
-40°C to 65°C.