



Industrial Specification Grade Hart-Lock® Locking Devices

2 Pole, 3 Wire Grounding
NEMA L5-20, 20A 125V
NEMA L6-20, 20A 250V
NEMA L7-20, 20A 277V
NEMA L8-20, 20A 480V
NEMA L9-20, 20A 600V

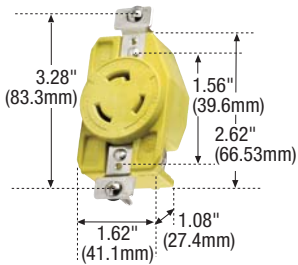
20A 2 Pole, 3 Wire Grounding Industrial Specification Grade Locking Receptacles

FEATURES

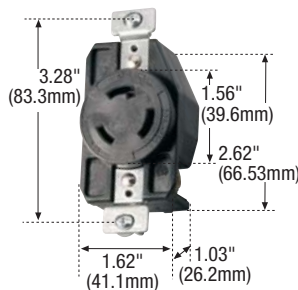
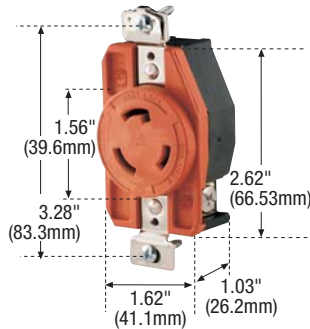
- Rugged fiberglass reinforced nylon body.
- Clearly marked rating, NEMA configuration and approval listings on receptacle face.
- One piece brass contacts offer superior performance and minimum heat rise.
- Back wire terminal clamps for easy secure wiring.
- Combination head screws standard - slot/Phillips in the U.S.
- Add -C to catalog number for Canadian screws - slot/Robertson head combination.
- Safety ground clip provided for fast installation.

INDUSTRIAL
COMMERCIAL

E-9 LOCKING DEVICES



CRL520R



Industrial Specification Grade Locking Receptacles

Rating	A	V/AC	NEMA	Description	Color	Catalog No.
20	125	L5-20	Standard	Black	CWL520R*	
			Corrosion Resistant	Yellow	CRL520R*	
			Isolated Ground	Orange	IGL520R	
20	250	L6-20	Standard	Black	CWL620R*	
			Corrosion Resistant	Yellow	CRL620R*	
			Isolated Ground	Orange	IGL620R	
20	277	L7-20	Standard	Black	CWL720R*	
			Isolated Ground	Orange	IGL720R	
20	480	L8-20	Standard	Black	CWL820R*	
			Isolated Ground	Orange	IGL820R	
20	600	L9-20	Standard	Black	CWL920R	

*UL Listed to Federal Spec. WC-596

NOTE: Weather Protective Covers from Cooper Wiring Devices that may be used with these products are described on page E-71 in this section.

TESTING & CODE COMPLIANCE

- Listed to UL 498 (file no. E2369).
- CSA Certified to C22.2 no. 42 (file no. LR7087).

MATERIAL CHARACTERISTICS

Glass filled Nylon.
 Environmental:
 Flammability per UL 94 requirements, VO rated.
 Temperature Rating:
 Receptacles:
 -40°C to 105°C.



L5-20R



L6-20R



L7-20R



L8-20R



L9-20R

Industrial Specification Grade Hart-Lock® Locking Devices

2 Pole, 3 Wire Grounding
NEMA L5-20, 20A 125V
NEMA L6-20, 20A 250V
NEMA L7-20, 20A 277V
NEMA L8-20, 20A 480V
NEMA L9-20, 20A 600V

20A 2 Pole, 3 Wire Grounding Industrial Specification Grade Plugs and Connectors

FEATURES

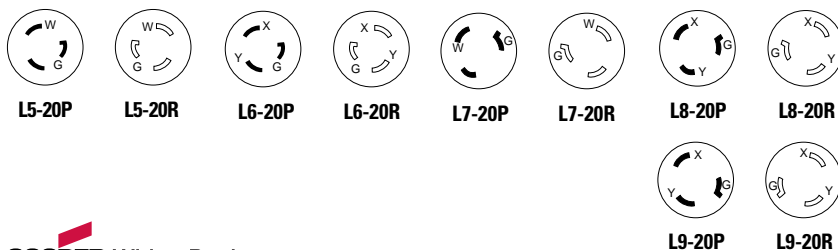
- All nylon construction.
- Back wire Dead-Front design.
- Neoprene gasket seals cord hole from dust and debris.
- Inserts included for three separate cord grip ranges.
- Back wire terminal clamps for easy secure wiring.
- Individual wiring compartments with tapered channel for easy insertion of wires.
- Clear cover over wiring compartments allow easy inspection of wiring terminations.
- Combination head screws standard - slot/Phillips in the U.S.
- Add "-C" to catalog number for Canadian screws - slot/Robertson head combination.

Industrial Specification Grade Locking Plugs and Connectors

Rating A	V/AC	NEMA	Description/ Cord Diameter	Color	Catalog No. Plug	Connector
15	125	L5-20	Straight: 0.38"-1.00" (9.5mm-25.4mm)	Black & White	CWL520P	CWL520C
			Straight: 0.38"-1.00" (9.5mm-25.4mm)	Black	CWL520PBK	CWL520CBK
			Corrosion Resistant: 0.38"-1.00" (9.5mm-25.4mm)	Yellow	CRL520P	CRL520C
			Isolated Ground: 0.38"-1.00" (9.5mm-25.4mm)	Orange	IGL520P	—
20	250	L6-20	Straight: 0.38"-1.00" (9.5mm-25.4mm)	Black & White	CWL620P	CWL620C
			Straight: 0.38"-1.00" (9.5mm-25.4mm)	Black	6212BK	6214BK
			Corrosion Resistant: 0.38"-1.00" (9.5mm-25.4mm)	Yellow	CRL620P	—
			Isolated Ground: 0.38"-1.00" (9.5mm-25.4mm)	Orange	IGL620P	—
20	277	L7-20	Straight: 0.38"-1.00" (9.5mm-25.4mm)	Black & White	CWL720P	CWL720C
20	480	L8-20	Straight: 0.38"-1.00" (9.5mm-25.4mm)	Black & White	CWL820P	CWL820C
20	600	L9-20	Straight: 0.30"-0.95" (7.6mm-24.1mm)	Black & White	CWL920P**	CWL920C**

** UL (file no E1381), CSA (file no. LR16215)

NOTE: Weather Protective Boots from Cooper Wiring Devices that may be used with these products are described on page E-72 in this section.



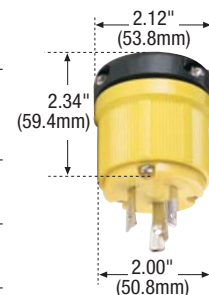
COOPER Wiring Devices



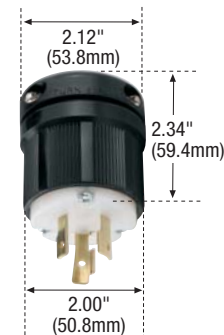
CWL520C



CWL520P



CRL520P



CWL620P



CRL520C



INDUSTRIAL
COMMERCIAL

E-10
LOCKING
DEVICES

TESTING & CODE COMPLIANCE

- Listed to UL 498 (file no. E3663).
- cUL Certified to CSA C22.2 no. 42. (file no. E3663).

MATERIAL CHARACTERISTICS

Nylon.
Temperature Rating:
-40°C to 75°C;
except CWL920P,
CWL920C,
-40°C to 60°C.