

Industrial Specification Grade Hart-Lock® Locking Devices

3 Pole, 4 Wire Grounding
NEMA L14-20, 20A 125/250V
NEMA L15-20, 20A 250V 3Ø
NEMA L16-20, 20A 480V 3Ø



20A 3 Pole, 4 Wire Grounding Industrial Specification Grade Plugs and Connectors

FEATURES

- Back wire Dead-Front design.
- Neoprene gasket seals cord hole from dust and debris.
- Inserts included for three separate cord grip ranges.
- Back wire terminal clamps for easy secure wiring.
- Individual wiring compartments with tapered channel for easy insertion of wires.
- Clear cover over wiring compartments allows easy inspection of wiring terminations.
- Combination head screws standard – slot/Phillips in the U.S.
- Add -C to catalog number for Canadian screws – slot/Robertson head combination.



CWL1520P

Industrial Specification Grade Locking Plugs and Connectors

Rating A	V/AC	NEMA	Description/ Cord Diameter	Color	Catalog No.	
					Plug	Connector
20	125/250	L14-20	Standard: 0.38"-1.00" (9.5mm-25.4mm)	Black & White	CWL1420P	CWL1420C
			Standard: 0.38"-1.00"	Black	CWL1420PBK	CWL1420CBK
			Corrosion Resistant: .38"-1.00" (9.5mm-25.4mm)	Yellow	CRL1420P	CRL1420C
20	250V 3Ø	L15-20	Standard: 0.38"-1.00" (9.5mm-25.4mm)	Black & White	CWL1520P	CWL1520C
			Corrosion Resistant: .38"-1.00" (9.5mm-25.4mm)	Yellow	CRL1520P	CRL1520C
20	480V 3Ø	L16-20	Standard: 0.38"-1.00" (9.5mm-25.4mm)	Black & White	CWL1620P	CWL1620C
			Standard: 0.38"-1.00"	Black	CWL1620PBK	CWL1620CBK



CWL1420FO



6405BK



CWL1620FO

20A 3 Pole, 4 Wire Industrial Specification Grade Flanged Inlet and Outlet

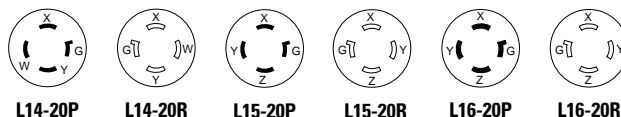
FEATURES

- Mounting holes interchangeable with competitive units.
- Back wire terminal clamps for easy secure wiring.
- Individual wiring compartments with tapered channel for easy insertion of wires.
- Combination head screws standard – slot/Phillips in the U.S.
- Add "-C" to catalog number for Canadian screws – slot/Robertson head combination.

Industrial Specification Grade Flanged Inlets and Outlets

Rating A	V/AC	NEMA	Color	Catalog No.	
				Inlet	Outlet
20	125/250	L14-20	Black & White	CWL1420FI	CWL1420FO
			Black	6405BK	6406BK
20	250V 3Ø	L15-20	Black & White	CWL1520FI	CWL1520FO
20	480V 3Ø	L16-20	Black & White	CWL1620FI	CWL1620FO

NOTE: Weather Protective Covers, Enclosures and Boots Cooper Wiring Devices that may be used with these products are described on pages E-71 – E-74 in this section.



L14-20P

L14-20R

L15-20P

L15-20R

L16-20P

L16-20R

INDUSTRIAL
COMMERCIAL

E-20
LOCKING
DEVICES

TESTING & CODE COMPLIANCE

- Listed to UL 498 Plugs, Connectors, Flanged Inlet: (file no. E3663). Flanged Outlets: (file no. E2369).
- cUL Certified to CSA C22.2 no. 42 (file no. E3663 and E2369).

MATERIAL CHARACTERISTICS

Nylon.
Environmental:
Flammability per UL 94 requirements.
Flanged Inlets and Outlets are V2 rated.
Temperature Rating:
Plugs, Connectors: -40°C to 75°C;
Flanged Inlets, Outlets: -40°C to 80°C.



INDUSTRIAL
COMMERCIAL

E-21 LOCKING DEVICES

TESTING & CODE COMPLIANCE

- Listed to UL 498 (file no. E2369); UL Listed to Federal Spec. WC-596.
- CSA Certified to C22.2 no. 42 (file no. LR7087) except as noted.

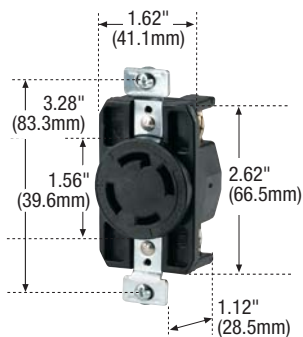
MATERIAL CHARACTERISTICS

Glass filled Nylon except FSL330R is Urea.
Environmental:
Flammability per UL 94 requirements, VO rated except FSL330R.
Temperature Rating:
-40°C to 105°C except FSL330R:
-40°C to 60°C.

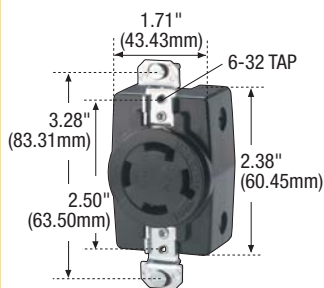


Industrial Specification Grade Hart-Lock® Locking Devices

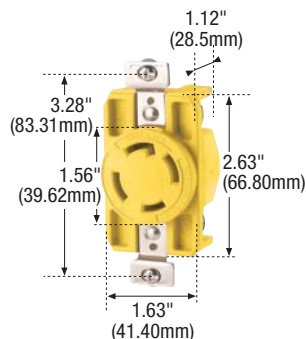
3 Pole, 4 Wire Grounding
NEMA FSL3-30, 30A 120V 3Ø
NEMA L14-30, 30A 125/250V
NEMA L15-30, 30A 250V 3Ø
NEMA L16-30, 30A 480V 3Ø
NEMA L17-30, 30A 600V 3Ø



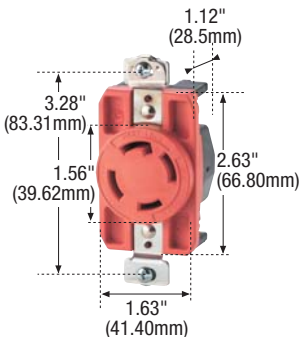
CWL1430R



FSL330R



CRL1430R



IGL1430R

30A 3 Pole, 4 Wire Grounding Industrial Specification Grade Locking Receptacles

FEATURES

- Rugged fiberglass reinforced nylon body.
- Clearly marked rating, NEMA configuration and approval listings on receptacle face.
- One piece brass contacts offer superior performance and minimum heat rise.
- Back wire terminal clamps for easy secure wiring.
- Combination head screws standard - slot/Phillips in the U.S.
- Add -C to catalog number for Canadian screws - slot/Robertson head combination.
- Safety ground clip provided for fast installation.

Industrial Specification Grade Single Receptacles - Back and Side Wire

Rating						
A	V/AC	NEMA	Description	Color	Catalog No.	
30	120V 3Ø 400HZ	FSL3-30	Standard	Black	FSL330R*#	
30	125/250	L14-30	Standard	Black	CWL1430R	
			Corrosion Resistant	Yellow	CRL1430R	
30	250V 3Ø	L15-30	Standard	Black	CWL1530R	
			Isolated Ground	Orange	IGL1530R*	
30	480V 3Ø	L16-30	Standard	Black	CWL1630R*	
			Isolated Ground	Orange	IGL1630R*	
30	600V 3Ø	L17-30	Standard	Black	CWL1730R*	

*Not Federal spec. listed

#UL (file no. 2258), CSA (file no. LR16215)

NOTE: Weather Protective Covers from Cooper Wiring Devices that may be used with these products are described on page E-71 in this section.



FSL3R



L14-30R



L15-30R



L16-30R



L17-30R

Industrial Specification Grade Hart-Lock® Locking Devices

3 Pole, 4 Wire Grounding
NEMA FSL3-30, 30A 120V 3Ø
NEMA L14-30, 30A 125/250V
NEMA L15-30, 30A 250V 3Ø
NEMA L16-30, 30A 480V 3Ø
NEMA L17-30, 30A 600V 3Ø



INDUSTRIAL
COMMERCIAL

E-22 LOCKING DEVICES

TESTING & CODE COMPLIANCE
 · Listed to UL 498 (file no. E3663), except as noted.
 · cUL Certified to CSA C22.2 no. 42 (file no. E3663) except as noted.

MATERIAL CHARACTERISTICS
 Nylon.
 Temperature Rating: Receptacles: -40°C to 75°C, except FSL330P & FSL330C: -20°C to 60°C.

30A 3 Pole, 4 Wire Grounding Industrial Specification Grade Plugs and Connectors

FEATURES

- Nylon construction.
- Back wire Dead-Front design.
- Neoprene gasket seals cord hole from dust and debris.
- Inserts included for three separate cord grip ranges.
- Back wire terminal clamps for easy secure wiring.
- Individual wiring compartments with tapered channel for easy insertion of wires.
- Clear cover over wiring compartments allow easy inspection of wiring terminations.
- Combination head screws standard - slot/Phillips in the U.S.
- Add -C to catalog number for Canadian screws - slot/Robertson head combination.



CRL1430C



FSL330P



CWL1730P

Industrial Specification Grade Locking Plugs and Connectors

Rating A	V/AC	NEMA	Description/ Cord Diameter	Color	Catalog No.	
					Plug	Connector
30	120V 3Ø 400Hz	FSL3-30	Standard: 0.347"-1.15" (11.9mm-29.5mm)	Black & White	FSL330P*	FSL330C*
30	125/250	L14-30	Standard: 0.63"-1.16" (15.9mm-29.4mm)	Black & White	CWL1430P	CWL1430C
			Standard: 0.63"-1.16" (15.9mm-29.4mm)	Black	6512BK	6514BK
			Corrosion Resistant: 0.63"-1.16" (15.9mm-29.4mm)	Yellow	CRL1430P	CRL1430C
30	250V 3Ø	L15-30	Standard: 0.63"-1.16" (15.9mm-29.4mm)	Black & White	CWL1530P	CWL1530C
			Corrosion Resistant: 0.63"-1.16" (15.9mm-29.4mm)	Yellow	CRL1530P	CRL1530C
			Standard: 0.63"-1.16" (15.9mm-29.4mm)	Black & White	CWL1630P	CWL1630C
30	480V 3Ø	L16-30	Standard: 0.63"-1.16" (15.9mm-29.4mm)	Black & White	CWL1630P	CWL1630C
			Corrosion Resistant: 0.63"-1.16" (15.9mm-29.4mm)	Yellow	CRL1630P	—
30	600V 3Ø	L17-30	Standard: 0.63"-1.16" (15.9mm-29.4mm)	Black & White	CWL1730P	CWL1730C

*UL (file no. E1381), CSA (file no. LR16215)

NOTE: Weather Protective Boots from Cooper Wiring Devices that may be used with these products are described on page E-72 in this section.

