

# Industrial Specification Grade Hart-Lock® Locking Devices

2 Pole, 3 Wire Grounding  
NEMA L5-30, 30A 125V  
NEMA L6-30, 30A 250V  
NEMA L7-30, 30A 277V  
NEMA L8-30, 30A 480V  
NEMA L9-30, 30A 600V



INDUSTRIAL  
COMMERCIAL

## E-12 LOCKING DEVICES

### TESTING & CODE COMPLIANCE

- Listed to UL 498 (file no. E2369).
- CSA Certified to C22.2 no. 42 (file no. LR7087).

### MATERIAL CHARACTERISTICS

Glass filled Nylon.  
Environmental:  
Flammability per  
UL 94 requirements,  
V0 rated.  
Temperature Rating:  
-40°C to 105°C.

## 30A 2 Pole, 3 Wire Grounding Industrial Specification Grade Locking Receptacles

### FEATURES

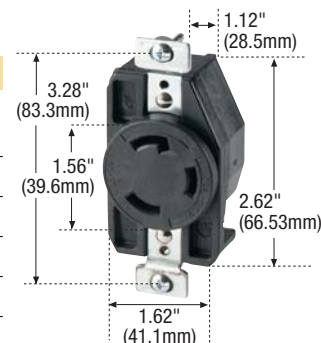
- Rugged fiberglass reinforced nylon body and face.
- Clearly marked rating, NEMA configuration and approval listings on receptacle face.
- One piece brass contacts offer superior performance and minimum heat rise.
- Back wire terminal clamps for easy secure wiring.
- Combination head screws standard – slot/Phillips in the U.S.
- Add -C to catalog number for Canadian screws – slot/Robertson head combination.
- Safety ground clip provided for fast installation.

### Industrial Specification Grade Single Receptacles – Back and Side Wire

Rating	A	V/AC	NEMA	Description	Color	Catalog No.
30	125	L5-30	Standard	Black	CWL530R*	
			Corrosion Resistant	Yellow	CRL530R*	
			Isolated Ground	Orange	IGL530R	
30	250	L6-30	Standard	Black	CWL630R*	
			Corrosion Resistant	Yellow	CRL630R*	
			Isolated Ground	Orange	IGL630R	
30	277	L7-30	Standard	Black	CWL730R*	
			Isolated Ground	Orange	IGL730R	
30	480	L8-30	Standard	Black	CWL830R*	
			Isolated Ground	Orange	IGL830R	
30	600	L9-30	Standard	Black	CWL930R	

\*UL Listed to Federal Spec. WC-596F

NOTE: Weather Protective Covers from Cooper Wiring Devices that may be used with these products are described on page E-71 in this section.



**CWL530R**



**CWL630R**





# Industrial Specification Grade Hart-Lock® Locking Devices

2 Pole, 3 Wire Grounding  
NEMA FSL1-30, 30A 28V/DC  
NEMA FSL2-30, 30A 120V  
NEMA L5-30, 30A 125V  
NEMA L6-30, 30A 250V  
NEMA L7-30, 30A 277V  
NEMA L8-30, 30A 480V  
NEMA L9-30, 30A 600V

## 30A 2 Pole, 3 Wire Grounding Industrial Specification Grade Plugs and Connectors

### FEATURES

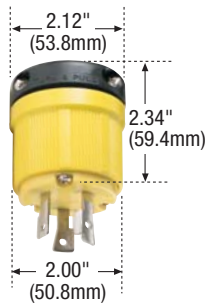
- Back wire Dead-Front design.
- Neoprene gasket seals cord hole from dust and debris.
- Inserts included for three separate cord grip ranges.
- Back wire terminal clamps for easy secure wiring.
- Individual wiring compartments with tapered channel for easy insertion of wires.
- Clear cover over wiring compartments allow easy inspection of wiring terminations.
- Combination head screws standard – slot/Phillips in the U.S.
- Add -C to catalog number for Canadian screws – slot/Robertson head combination.



**CWL530P**



**CWL730P**



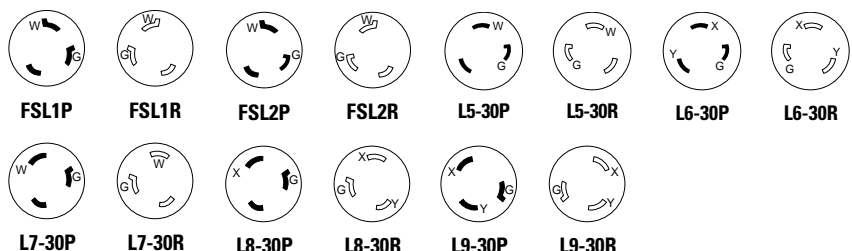
**CRL530P**

### Industrial Specification Grade Locking Plugs and Connectors

Rating A	V/AC	NEMA	Description/ Cord Diameter	Color	Catalog No. Plug	Connector
30	28V/DC	FSL1-30	Straight: 0.30"-0.95" (7.6mm-24.1mm)	Black & White	FSL130P*	FSL130C*
30	120, 400Hz	FSL2-30	Straight: 0.30"-0.95" (7.6mm-24.1mm)	Black & White	FSL230P*	FSL230C*
30	125	L5-30	Straight: 0.38"-1.00" (9.5mm-25.4mm)	Black & White	CWL530P	CWL530C
			Straight: 0.38"-1.00" (9.5mm-25.4mm)	Black	6332BK	6334BK
			Corrosion Resistant: 0.38"-1.00" (9.5mm-25.4mm)	Yellow	CRL530P	CRL530C
30	250	L6-30	Straight: 0.38"-1.00" (9.5mm-25.4mm)	Black & White	CWL630P	CWL630C
			Corrosion Resistant: 0.38"-1.00" (9.5mm-25.4mm)	Yellow	CRL630P	CRL630C
30	277	L7-30	Straight: 0.38"-1.00" (9.5mm-25.4mm)	Black & White	CWL730P	CWL730C
30	480	L8-30	Straight: 0.38"-1.00" (9.5mm-25.4mm)	Black & White	CWL830P	CWL830C
30	600	L9-30	Straight: 0.30"-0.95" (7.6mm-24.1mm)	Black & White	CWL930P*	CWL930C*

\*UL (file no. E1381), CSA (file no. LR16215).

NOTE: Weather Protective Boots from Cooper Wiring Devices that may be used with these products are described on page E-72.



INDUSTRIAL  
COMMERCIAL

**E-13**  
LOCKING  
DEVICES

### TESTING & CODE COMPLIANCE

· Listed to UL 498  
(file no. E3663).  
· cUL Certified to  
CSA C22.2 no. 42  
(file no. E3663)  
except as noted.

### MATERIAL CHARACTERISTICS

Nylon.  
Temperature Rating:  
-40°C to 75°C;  
except CWL930P,  
CWL930C,  
-40°C to 60°C.