

4K HDCVI Vari-focal Bullet Camera

8 MP Starlight IR Bullet Camera

HDCVI



- 1/1.8-in. 8 MP Progressive Scan CMOS Sensor
- 4K (3840 x 2160) at 15 fps Maximum Resolution
- 3.7 mm to 11 mm Motorized Optical Zoom Lens
- Starlight Technology for Ultra Low-light Applications
- True Wide Dynamic Range (120 dB) and 2D/3D Noise Reduction
- HD or SD Output, Switchable
- Maximum IR Length 80 m (262 ft), Smart IR
- Built-in Microphone
- Dual Power Input, 24 VAC or 12 VDC Power Supply
- IP67 Ingress Protection
- Five-year Warranty*



System Overview

Experience the superior clarity of Dahua's Ultra 4K HDCVI cameras for vast coverage and superior image details. Dahua Ultra 4K HDCVI series leverages existing coax infrastructures to deliver forensic-level images seamlessly and over long distances. The 4K HDCVI camera uses next-generation ISP chip technology developed by Dahua to deliver stunning video. This home-grown ISP features the latest image processing algorithms and is optimized for surveillance camera operations. With total control of the ISP features and production, Dahua can offer the latest security systems at a cost-effective price.

Functions

Three Signals over One Coaxial Cable

HDCVI technology simultaneously transmits video, audio and data over a single coaxial cable. Dual-way data transmission allows the HDCVI camera to communicate with an HCVR to send control signals or to trigger alarms.

Starlight Technology

For challenging low-light applications, Dahua's Starlight Ultra-low Light Technology offers best-in-class light sensitivity, capturing details in low light down to 0.005 lux. The camera uses a set of optical features to balance light throughout the scene, resulting in clear images in dark environments.

Long Distance Transmission

HDCVI technology guarantees real-time transmission over long distances without loss of video quality. HDCVI cameras provide the same resolution as most IP network camera systems using existing RG-59, RG-6, or CAT 6 UTP cabling.

Simplicity

HDCVI technology seamlessly integrates traditional analog surveillance systems with upgraded, high-quality HD video, making it the best choice to protect security investments. The plug and play approach enables full HD video surveillance without the hassles of configuring a network.

Broadcast-quality Audio

Audio information is used as supplementary evidence in video surveillance applications. This HDCVI camera transmits audio signals over the coaxial cable, eliminating the need for separate audio wiring. In addition, the camera uses unique audio processing and transmission technology that eliminates noise to best duplicate source audio, guaranteeing high-quality and highly effective audio information.

Multiple-format Support

The camera supports multiple video formats including, HDCVI, CVBS, AHD, and TVI. The camera can switch between these four formats via the OSD menu or the switch located on the video output cable, making the camera compatible with not only HDCVI DVRs but also most existing HD/SD DVRs.

True Wide Dynamic Range

The camera achieves vivid images, even in the most intense contrast lighting conditions, using industry-leading wide dynamic range (WDR) technology. For applications with both bright and low lighting conditions that change quickly, True WDR (120 dB) optimizes both the bright and dark areas of a scene at the same time to provide usable video.

Advanced 3DNR

3DNR is noise reduction technology that detects and eliminates random noises by comparing two sequential frames. Dahua's advanced 3DNR technology delivers remarkable noise reduction with little impact to sharpness, especially under limited lighting condition. 3DNR, in addition, effectively decreases the bandwidth and saves storage space.

Protection

The camera allows for $\pm 30\%$ input voltage tolerance, suitable for the most unstable conditions for outdoor applications. Its 4KV lightning rating provides effective protection for both the camera and its structure against lightning, and its IP67 ingress protection make it the choice for installation in even the most unforgiving environments.

Technical Specification

Camera

Image Sensor	1/1.8-in. CMOS Sensor
Effective Pixels	3840 (H) x 2160 (V), 8 MP
Scanning System	Progressive
Electronic Shutter Speed	1/3 s to 1/100,000 s
Minimum Illumination	Color: 0.005 Lux at F1.5, 30 IRE 0 Lux with IR on
S/N Ratio	More than 65 dB
IR Distance	Up to 80.0 m (262.47 ft)
IR On/Off Control	Auto, Manual
IR LEDs	Four (4)

Lens

Lens Type	Motorized Lens, Fixed Iris
Mount Type	Board-in
Focal Length	3.7 mm to 11 mm
Maximum Aperture	F1.5
Angle of View	Horizontal: 112° to 46°
Focus Control	Auto, Manual
Close Focus Distance	200 mm (7.87 in.)

Pan / Tilt / Rotation

Pan/Tilt/Rotation	Pan: 0° to 360° Tilt: 0° to 90° Rotation: 0° to 360°
-------------------	--

DORI Distances¹

	Detect (8 ppf)	Observe (19 ppf)	Recognize (38 ppf)	Identify (76 ppf)
Wide-angle	83 m (273 ft)	33 m (109 ft)	17 m (54 ft)	8 m (27 ft)
Telephoto	190 m (624 ft)	76 m (250 ft)	38 m (125 ft)	19 m (62 ft)

Video

Maximum Resolution	8 MP (3840 x 2160)		
Frame Rate	HDCVI	8 MP at 15 fps, 6 MP at 20 fps, or 4 MP at 30 fps	
	TVI	5 MP at 20 fps 4 MP at 30 fps	
	AHD	5 MP at 20 fps 4 MP at 30 fps	
	CVBS	960H	
Video Output	One (1) BNC HDCVI 4K Ultra High-definition Channel or, One (1) BNC CVBS Channel, switchable		

Video

Video Transmission ²	RG-59/U Coax	720p: 800 m (2624.67 ft) 1080p: 500 m (1640.42 ft) 4K: 500 m (1640.42 ft)
	RG-6/U Coax	720p: 1200 m (3937.01 ft) 1080p: 800 m (2624.67 ft) 4K: 700 m (2296.59 ft)
	CAT 6 UTP (balun required)	720p: 450 m (1476.38 ft) 1080p: 300 m (984.25 ft) 4K: 300 m (984.25 ft)
Day/Night	Auto (ICR), Manual	
OSD Menu	Multi-language	
BLC Mode	BLC, HLC, True WDR	
WDR	120 dB	
Gain Control	AGC	
Noise Reduction	2D/3D	
White Balance	Auto, Manual	
Smart IR	Auto, Manual	

Certifications

CE	EN55032 EN55024 EN50130-4
Safety	UL60950-1 CAN/CSA C22.2 No.60950-1
Electromagnetic Compatibility (EMC)	FCC CFR 47 Part 15 subpart B, ANSI C63.4-2014

Interface

Audio	Input: One (1) Channel, RCA Jack, and Built-in Microphone
-------	--

Electrical

Power Supply	24 VAC ± 30% or 12 VDC ± 30%
Power Consumption	Maximum 15 W (12 VDC, IR on)

Environmental

Operating Conditions	-30° C to +60° C (-22° F to +140° F) Less than 90% RH *Initiate start up above -30° C (-22° F)
Storage Conditions	-30° C to +60° C (-22° F to +140° F) Less than 90% RH
Ingress Protection	IP67

Construction

Casing	Aluminium
Dimensions	244.10 mm x 90.40 mm x 90.40 mm (9.61 in. x 3.56 in. x 3.56 in.)
Net Weight	0.80 kg (1.76 lb)
Gross Weight	1.05 kg (2.31 lb)

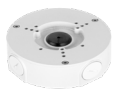
1. The DORI distance is a measure of the general proximity for a specific classification to help pinpoint the right camera for your needs. The DORI distance is calculated based on sensor specifications and lab test results according to EN 62676-4, the standard that defines the criteria for the Detect, Observe, Recognize and Identify classifications.

2. Transmission distance results verified by real-scene testing in Dahua's test laboratory. Actual transmission distances may vary due to external influences, cable quality, and wiring structures.

Ordering Information		
Type	Part Number	Description
4K HDCVI Camera	A82AF5V	8 MP Starlight HDCVI IR Vari-focal Bullet Camera, True WDR
Accessories, optional	PFA130-E	Junction Box (For use alone or with PFA152-E pole mount)
	DH-PFA142	Outdoor Surveillance Junction Box
	PFA151	Corner Mount Bracket (For use with PFA130-E junction box)
	PFA152-E	Pole Mount (For use with PFA130-E junction box)
	DH-PFA153	Heavy-duty Pole Mount Bracket (For use with DH-PFA142 junction box)
	DH-PFM320D-US	12 VDC, 2 A Power Adapter
Audio Accessories, optional	HAP100	Pinhole Pickup
	HAP200	High-fidelity Pickup

Accessories

Optional:



PFA130-E
Junction Box



PFA152-E
Pole Mount



PFA151
Corner Mount



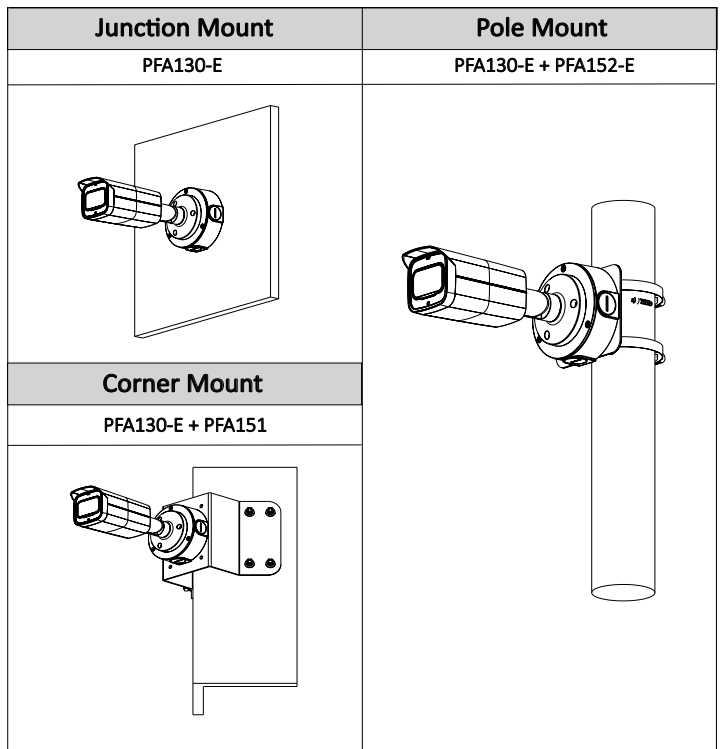
DH-PFM320D-US
12 VDC, 2 A Power Adapter



HAP100
Pinhole Pickup



HAP200
High-fidelity Pickup



Dimensions (mm/in.)

