

Residential Outdoor Station

IP54 IK07 Outdoor Station



- 1/3-in. 1.3 MP CMOS Imager
- Wide-angle Field of View
- Advanced System and Software for Residential Applications
- Night Vision and Voice Indication
- Supports Remote Unlock and Group Call Functions
- Video and Audio Messaging
- Stainless Steel Panel, Surface- or Flush-mounted



Technical Specification

System

| | |
|------------------|--------------------------|
| Main Processor | Embedded Micro Processor |
| Operating System | Embedded Linux |

Operation

| | |
|-----------|---------------------------------|
| Input | Single Mechanical Button |
| Door Lock | Status Check Support (optional) |

Video

| | |
|-------------------|-----------------------------------|
| Video Compression | H.264 |
| Image Sensor | 1/3-in. 1.3 MP CMOS Sensor |
| Lens | 2.8 mm |
| Angle of View | Horizontal: 90° Vertical: 120° |
| Day/Night | ICR |

Interface

| | |
|-------------------|---------------------------------------------------------------------------------------------------------------|
| Audio | Input: Omnidirectional Microphone Output: Built-in Speaker Two-way Talk |
| Audio Compression | G.711 |
| Door Control | Two (2) Channels: • One (1) Relay Out for Main Lock • One (1) Channel Extended by Access Control Module |
| Alarm Input | Two (2) Channels: • One (1) Channel, Unlock Button • One (1) Channel, Feedback |
| RS485 | One (1) Port |
| Tamper Switch | One (1) |

Network

| | |
|------------------|----------------------------|
| Ethernet | 10/100 Mbps, Self-adaptive |
| Network Protocol | TCP/IP |

Certifications

| | |
|-------------------------------------|--------------------------------------------------------------------------------------------------------------------------------------------------------------------------------------------------------------------------------------------------------------------------------------------------------------------------------|
| Safety | Power Supply: UL Certified |
| Electromagnetic Compatibility (EMC) | FCC CFR 47 Part 15 subpart B ANSI C63.4 - 2009 EN 55022:2010, EN 55024:2010, EN 50130-4:2011, EN 61000-6-3:2007, EN 61000-3-2:2006+A1:2009 EN 61000-3-3:2008, IEC 61000-4-2:2008, IEC 61000-4-3:2010, IEC 61000-4-4:2012, IEC 61000-4-5:2005, IEC 61000-4-6:2008, IEC 61000-4-8:2009, IEC 61000-4-11:2004 |

Electrical

| | |
|-------------------|-------------------------------------------------------------------------------------------|
| Power | 12 VDC Can receive power from DHI-VTNS10160A, or Use a separate 12 VDC power supply |
| Power Consumption | Standby: ≤ 1 W Operation: ≤ 10 W |

Environmental

| | |
|-----------------------|--------------------------------------|
| Operating Temperature | -40° C to +60° C (-40° F to +140° F) |
| Operating Humidity | 10% to 90%, Relative |
| Ingress Protection | IP54 |
| Vandal Resistance | IK07 |

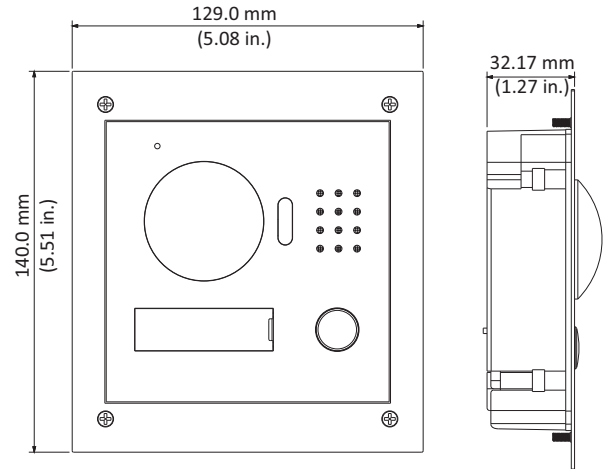
Construction

| | |
|--------------|--------------------------------------------------------------------|
| Material | Stainless Steel |
| Dimensions | 129.0 mm x 32.17 mm x 140.0 mm (5.08 in. x 1.27 in. x 5.51 in.) |
| Net Weight | 0.80 kg (1.76 lb) |
| Installation | Surface- or Flush-mount |

Accessories

| | |
|------------|-------------------------------------------------------------------|
| VTOB107 | Flush-Mount Box |
| Material | Metal |
| Dimensions | 125.0 mm x 135.0 mm x 56.0 mm (4.92 in. x 5.31 in. x 2.20 in.) |
| Weight | 0.8 kg (1.76 lb) |
| VTOB108 | Surface-Mount Box |
| Material | Metal |
| Dimensions | 145.0 mm x 134.0 mm x 88.0 mm (5.71 in. x 5.28 in. x 3.46 in.) |
| Weight | 1.0 kg (1.76 lb) |

Dimensions (mm/in.)



View Area

