

# Two-wire IP Residential Outdoor Station



## System Overview

The DHI-VTO2000A-2 enables tenants to view and talk with visitors and remotely unlock doors all from an intuitive mobile app and an interior color indoor monitor. Each IP outdoor station includes a 1.3 MP wide angle camera with manual rear pivot, two-way talk and enables remote functions such as snapshot when ringing and video and audio message retrieval. The IP outdoor station is designed for single-tenant residential applications.

## Technical Specification

### System

Main Processor	Embedded Micro Processor
Operating System	Embedded Linux

### Operation

Input	Single Mechanical Button
-------	--------------------------

### Video

Video Compression	H.264
Image Sensor	1/3-in. 1.3 MP CMOS Sensor
Lens	2.8 mm
Angle of View	Horizontal: 90° Vertical: 120°
Day/Night	Color Image

### Audio

Compression	G.711
Input	Omnidirectional Microphone
Output	Built-in Speaker
Bi-directional Talk	Supports Dual-way Bi-directional Talk

- 1.3 MP Wide Angle Pivoting Camera with Night Vision
- Built-in Microphone with Two-way Talk
- Provides an Audible Alarm if Removed from the Wall
- Records Call Sessions from the Indoor Monitor
- Easily Leave and Retrieve Audio and Video Messages
- View and Talk with Visitors and Remotely Unlock Doors Using the iDMSS/DMSS App
- Stainless Steel Panel can be Surface- or Flush-mounted
- Simplified Setup with QR Code Device Scan
- Connect Outdoor Stations to an NVR for 24-hour Local Recording
- IP54 Ingress Protection and IK07 Vandal Resistance



## Interface

Door Control	Two (2) Channels: <ul style="list-style-type: none"> <li>• One (1) Relay Out for Main Lock</li> <li>• One (1) Channel Extended by Access Control Module</li> </ul>
Alarm Input	Two (2) Channels: <ul style="list-style-type: none"> <li>• One (1) Channel, Unlock Button</li> <li>• One (1) Channel, Feedback</li> </ul>
RS485	One (1) Port
Tamper Switch	One (1)

## Network

Ethernet	10/100 Mbps, Self-adaptive
Network Protocol	TCP/IP

## Certifications

Safety	Power Supply: UL Certified
Electromagnetic Compatibility (EMC)	FCC CFR 47 Part 15 subpart B ANSI C63.4 - 2009 EN 55022:2010, EN 55024:2010, EN 50130-4:2011, EN 61000-6-3:2007, EN 61000-3-2:2006+A1:2009 EN 61000-3-3:2008, IEC 61000-4-2:2008, IEC 61000-4-3:2010, IEC 61000-4-4:2012, IEC 61000-4-5:2005, IEC 61000-4-6:2008, IEC 61000-4-8:2009, IEC 61000-4-11:2004

## Electrical

Power	24 VDC Power supplied via DHI-VTNC3000A.
Power Consumption	Standby: ≤ 1 W Operation: ≤ 10 W

## Environmental

Operating Temperature	-40° C to +60° C (-40° F to +140° F)
Operating Humidity	10% to 90%, Relative
Ingress Protection	IP54
Vandal Resistance	IK07

Construction

Material	Stainless Steel
Dimensions	129.90 mm x 32.17 mm x 140.0 mm (5.08 in. x 1.27 in. x 5.51 in.)
Net Weight	0.80 kg (1.76 lb)
Installation	Surface- or Flush-mount

Ordering Information

Type	Part Number	Description
Intercom	DHI-VTO2000A-2	Two-Wire IP Residential Outdoor Station
Accessories, optional	DHI-VTH1550CHW-2	Two-wire Color Indoor Monitor
	DHI-VTNC3000A	Two-wire Network Controller, Power Supply and Signal
	ADS-110DL-19-1 240072E	24 VDC, 3 A Power Adapter for use with DHI-VTNC3000A
	VTOB107	Flush-mount Box, plastic
	VTOB108	Surface-mount Box, metal
	iDMSS/DMSS App	Available from the Apple App Store or the Google Play Store

Accessories



DHI-VTH1550CHW-2  
Color Indoor Monitor



DHI-VTNC3000A  
Two-wire Network Controller



ADS-110DL-19-1 240072E  
24 VDC, 3 A Power Adapter  
for use with DHI-VTNC3000A



VTOB107  
Flush-mount Box

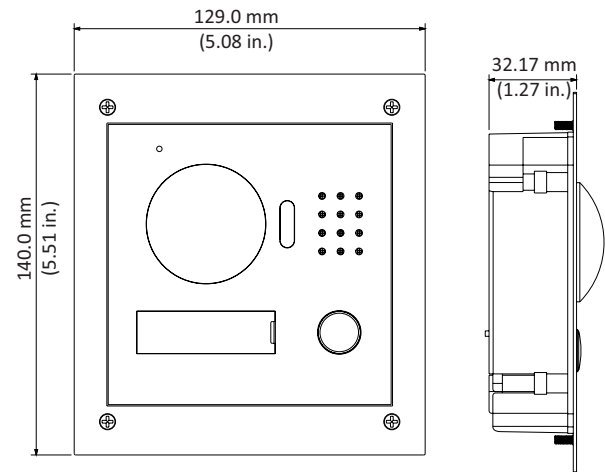


VTOB108  
Surface-mount Box



iDMSS/DMSS  
Mobile Application

Dimensions (mm/in.)



View Area

