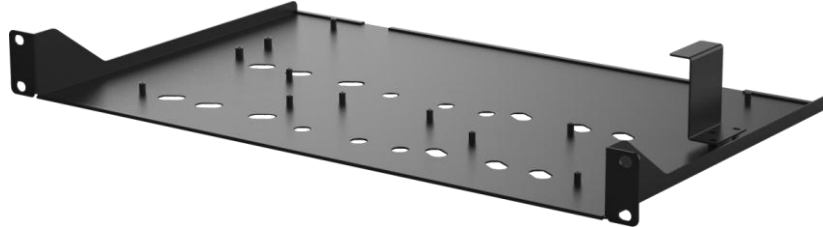


# PFH101

## Rack Mount Tray



### Features

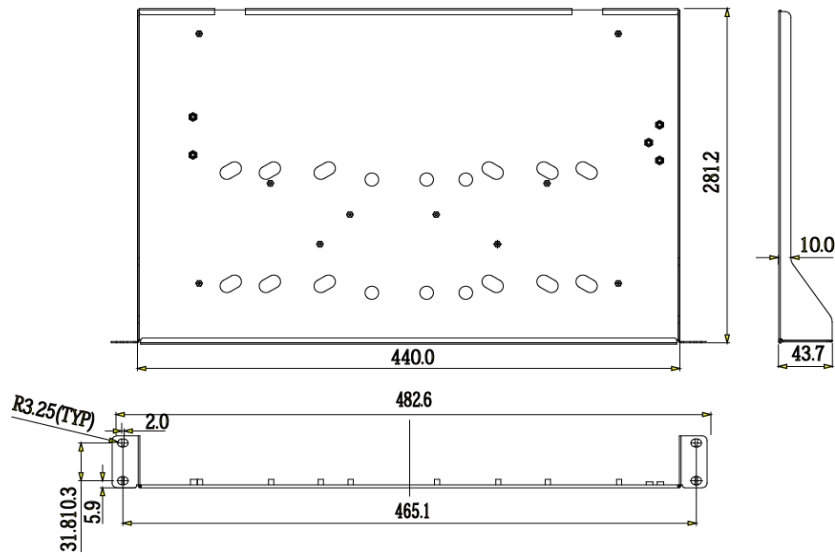
- Material: SPCC
- High Compatibility for 1U/ Mini 1U/Compact 1U Storage Device

### Specifications

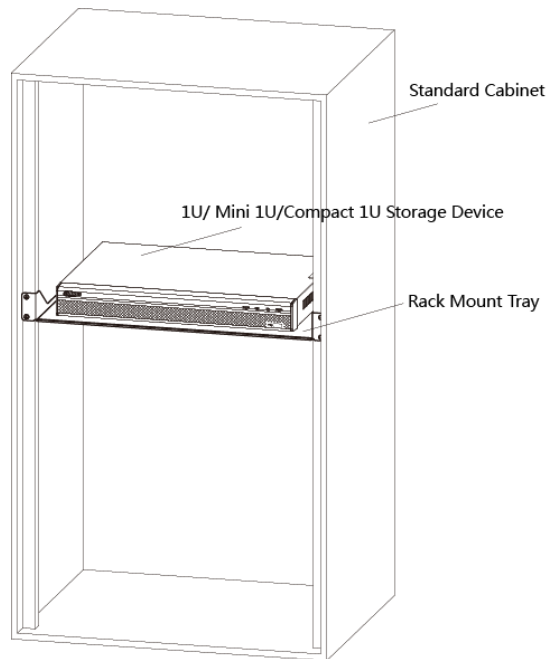
<b>Model</b>	<b>PFH101</b>
<b>General</b>	
Material	SPCC
Dimension (L x W)	482.6mm x 281.2mm x 43.7mm
Operating Temperature	-40°C~60°C
Humidity	0~90% RH
Load Bearing	5.0Kg
Weight	1.4Kg(single)
Color	Black
Applicable Model	1U/ Mini 1U/Compact 1U Storage Device

# PFH101

## Dimensions (mm)



## Application



### Dahua Technology Co., Ltd.

1199BinAn Road, Binjiang District, Hangzhou, China

Tel: +86-571-87688883

Fax: +86-571-87688815

Email: [overseas@dahuatech.com](mailto:overseas@dahuatech.com)

[www.dahuasecurity.com](http://www.dahuasecurity.com)

\*Design and specifications are subject to change without notice.

© 2016 Dahua Technology Co., Ltd.