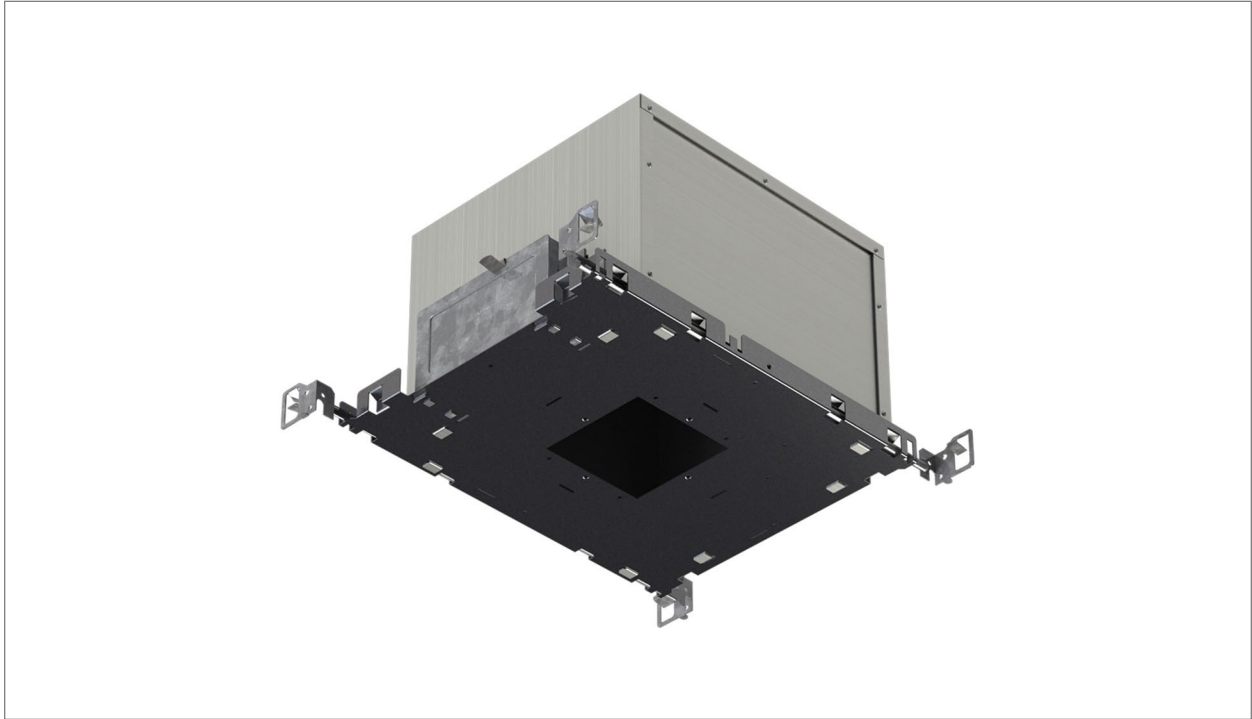


2-015 Square Insulated GU10



The 2-015 series housing is designed for insulated and airtight ceilings. Performing in accordance with ASTM E283-91, the airtight option also meets the requirements of "having no more than 2.0 CFM air movement from the conditioned space to the ceiling cavity" (Sec. 502.4 of 1991 WSEC—Washington State Electrical Code).

FEATURES

- Designed for 50W GU10 halogen 120V lamp
- GU10-LED lamp rated for 15W (max.)
- 16" hanger bars standard
- 20 Ga. cold rolled steel baseplate
- 18 Ga. galvanized steel junction box
- 5 junction box knock outs
- Over lamping protection
- Approved for branch circuit wiring

DETAILS

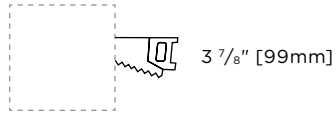
Aperture: 4"
Shape: Square
Ceiling: Insulated



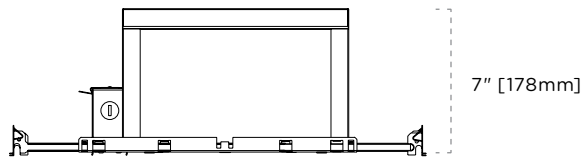
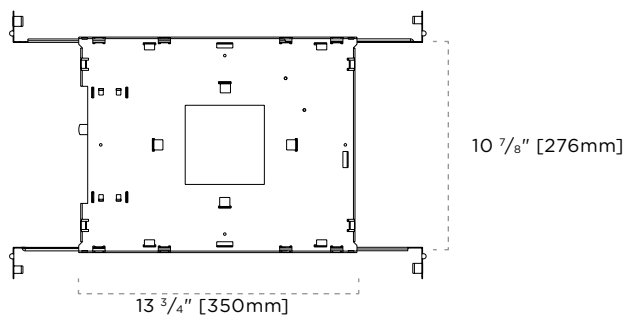
Housing Types

INSULATED & AIRTIGHT

Ceiling Cutout

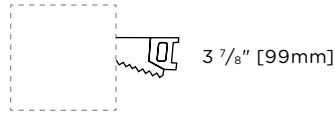


Dimensions

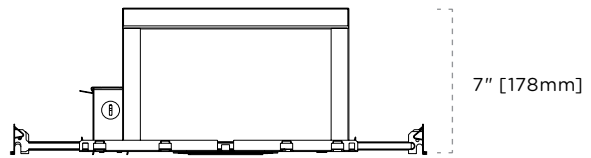
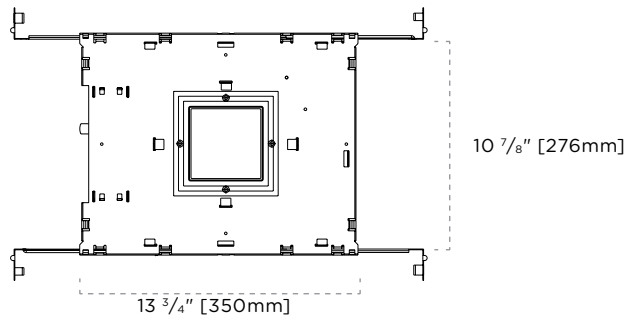


TRIMLESS INSULATED & AIRTIGHT

Ceiling Cutout



Dimensions



MAXIMUM WATTAGES

LAMP TYPE	INPUT VOLTAGE
	120V
GU10	50W
GU10-LED	15W

2-015

Square Insulated GU10

Project

Type

Notes

Product Code

1 2 3 4 5

1. Housing

2-015 Square

2. Housing Type

IC-Q Insulated

IC-AT-Q Insulated Airtight

IC-Q-TL Trimless Insulated

IC-AT-Q-TL Trimless Airtight Insulated

3. Lamp

GU10-HAL Halogen

GU10-LED LED¹

4. Voltage

120

5. Options

BPHI Black Painted Housing Interior

WPHI White Painted Housing Interior

Notes

¹ **GU10-LED** is compatible with GU10 LED lamp, rated for a maximum 15W, sold separately.

2-015-GU10-Specs • Subject to change without notice • Rev 2016.12.19 • 4/4
