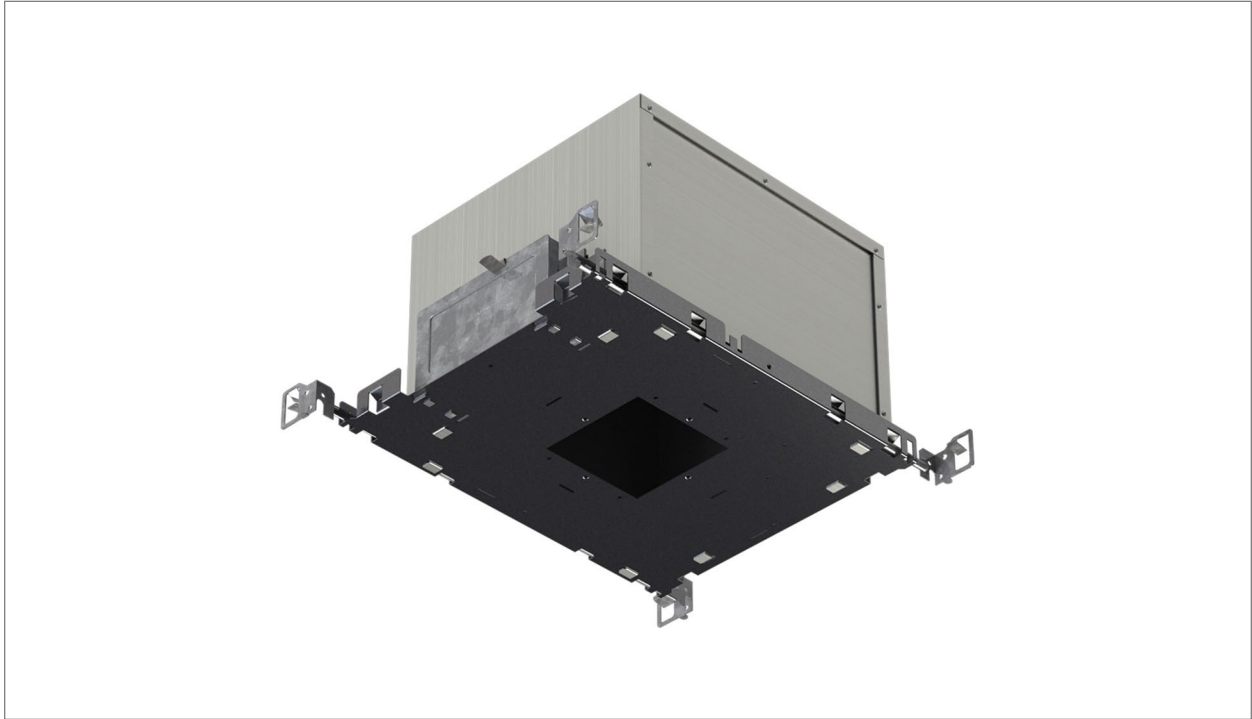


2-015 Square Insulated MR16



The 2-015 series housing is designed for insulated and airtight ceilings. Performing in accordance with ASTM E283-91, the airtight option also meets the requirements of "having no more than 2.0 CFM air movement from the conditioned space to the ceiling cavity" (Sec. 502.4 of 1991 WSEC—Washington State Electrical Code).

FEATURES

- Low voltage (12V) MR16 lamp (sold separately)
- Porcelain Bi Pin socket type GX5.3
- MR16 LED lamp is compatible with E15 electronic transformer option
- 16" hanger bars standard
- 20 Ga. cold rolled steel baseplate
- 18 Ga. galvanized steel junction box
- 5 junction box knock outs
- Approved for branch circuit wiring
- Transformer accessible through the ceiling

DETAILS

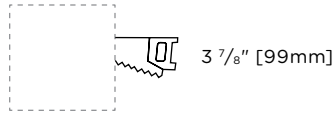
Aperture: 4"
Shape: Square
Ceiling: Insulated



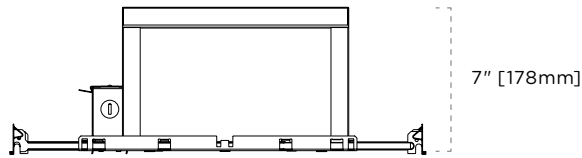
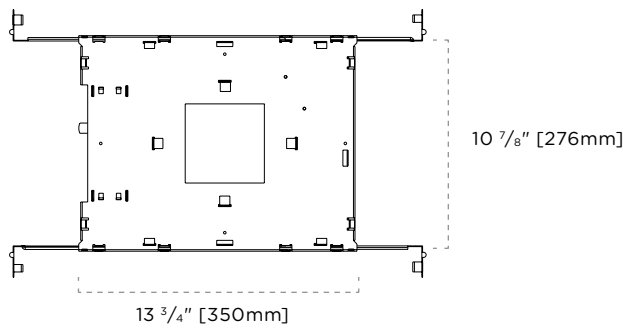
Housing Types

INSULATED & AIRTIGHT

Ceiling Cutout

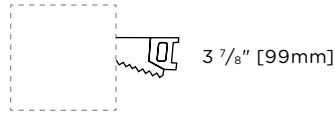


Dimensions

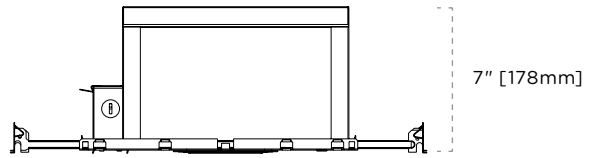
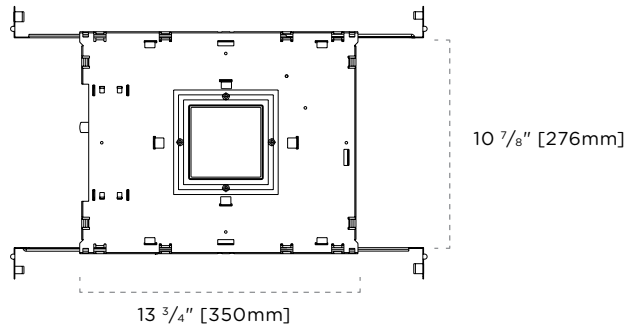


TRIMLESS INSULATED & AIRTIGHT

Ceiling Cutout



Dimensions



MAXIMUM WATTAGES

TRANSFORMER TYPE	INPUT VOLTAGE			NOTES
	120V	277V	347V	
MAGNETIC	37W	37W	37W	Made of copper windings with a class H rating (180°C)
ELECTRONIC	37W	37W	—	—
E-15 ELECTRONIC	15W	15W	—	Only compatible with Sora MR16 LED
Q-TRAN	50W	50W	—	Toroidal magnetic silent transformer
MAGNETIC POTTED	50W	—	—	Epoxy encapsulated

2-015-MR16-Specs • Subject to change without notice • Rev 2016.12.19 • 2/4

2-015

Square Insulated MR16

Project

Type

Notes

Product Code

1 2 3 4 5

1. Housing

2-015 Square

2. Housing Type

IC-Q Insulated

IC-AT-Q Insulated Airtight

IC-Q-TL Trimless Insulated

IC-AT-Q-TL Trimless Airtight Insulated

3. Transformer

E Electronic

E15 15W Electronic ¹

M Magnetic

MPT Magnetic Potted ¹

TOR Q-Tran Toroidal Magnetic

4. Voltage

120

277

347

5. Options

BPHI Black Painted Housing Interior

WPHI White Painted Housing Interior

Notes

¹ **E15** transformer option is only compatible with Soraa MR16 LED lamp.

² **MPT** transformer option is available in 120V.

³ **347** voltage is only available with **M** magnetic transformer.

2-015-MR16-Specs • Subject to change without notice • Rev 2016.12.19 • 4/4
