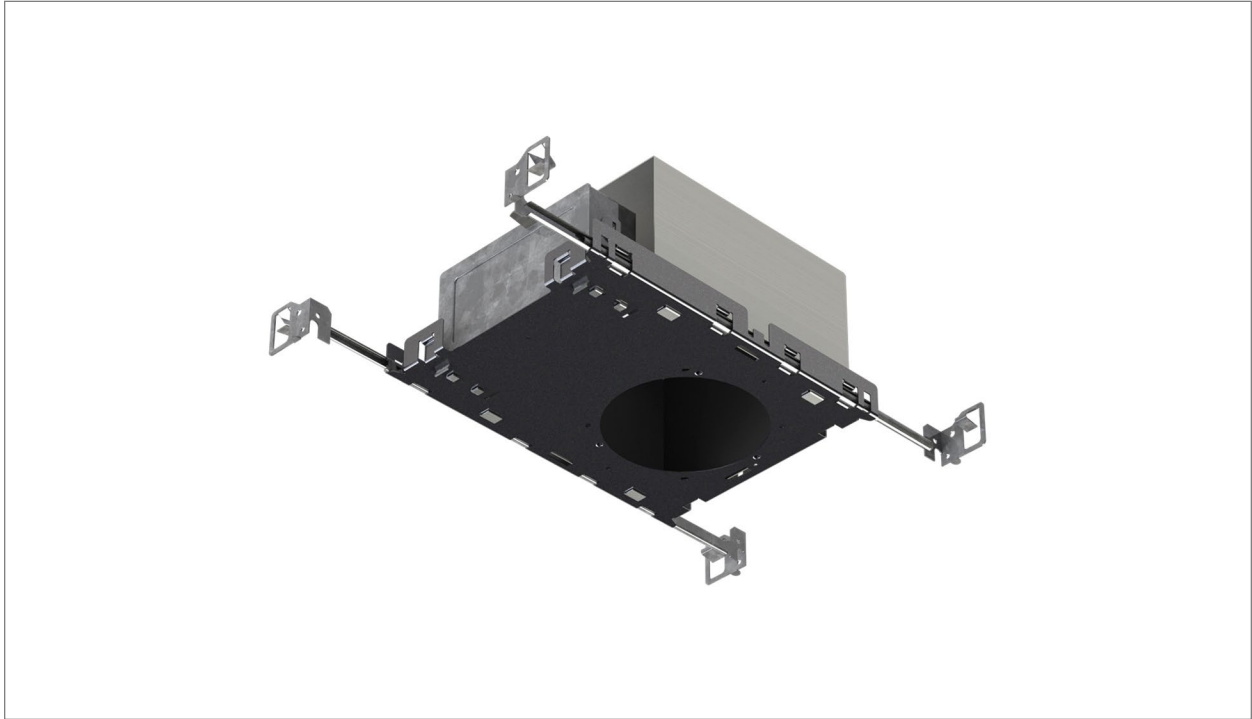


## D4B-F-R

### Round Non-Insulated BRO



The D4B-F-R series is designed for non insulated ceilings. A unique design allows installation of very shallow plenums as low as 5" (when used with a shallow cover). A black powder coated 20 Ga. baseplate is designed for bidirectional mounting of hanger bars. A 18 Ga. galvanized steel junction box with multiple K.O. for easy wiring entry. The housing series is approved for branch circuit wiring.

#### FEATURES

- Utilizes BRO series LED
- 45°C (113°F) operating temperature (3, 5 series)
- 40°C (104°F) operating temperature (7, 9 series)
- 14"-25" adjustable hanger bars
- 5 junction box knock outs

#### DETAILS

Aperture: 4"  
Shape: Round  
Ceiling: Non-Insulated  
Max. Lumen Output: 3000

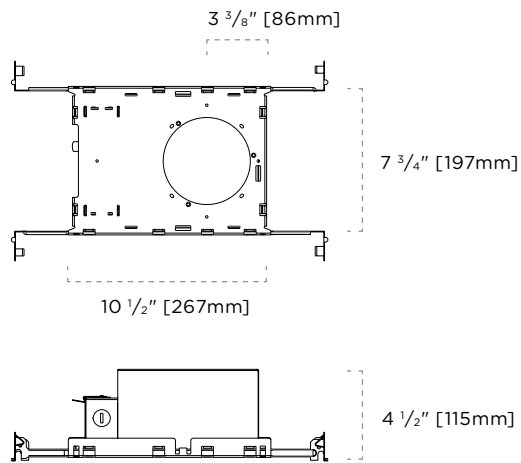


# Housing Types

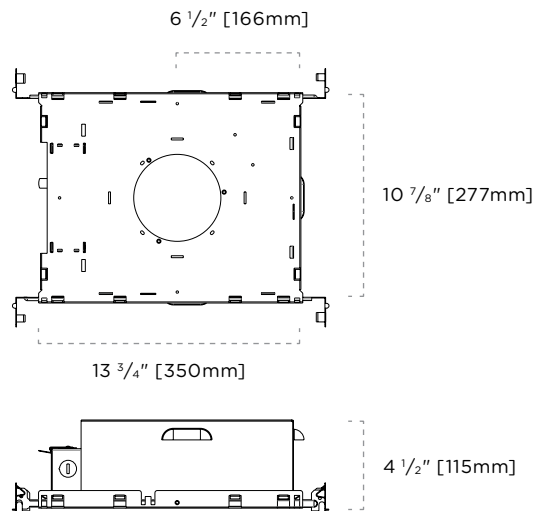
## CEILING CUTOUT

Trim Type	Circular Diameter	
Trimmed	Ø 4.5"	Ø 115mm
Trimmed + Aperture Collar		
Trimless		
Wood Trimless	Ø 3 9/16"	Ø 100mm

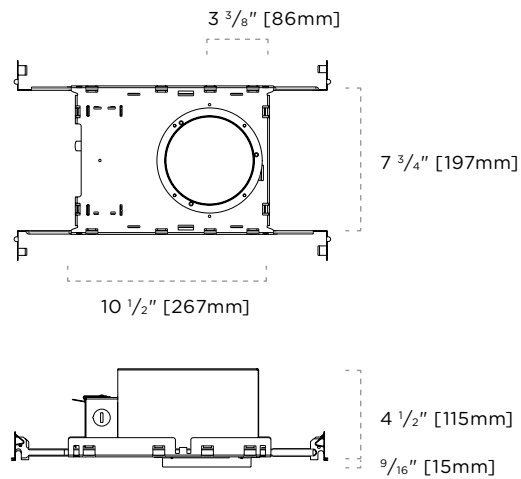
### TRIMMED (3, 5 SERIES)



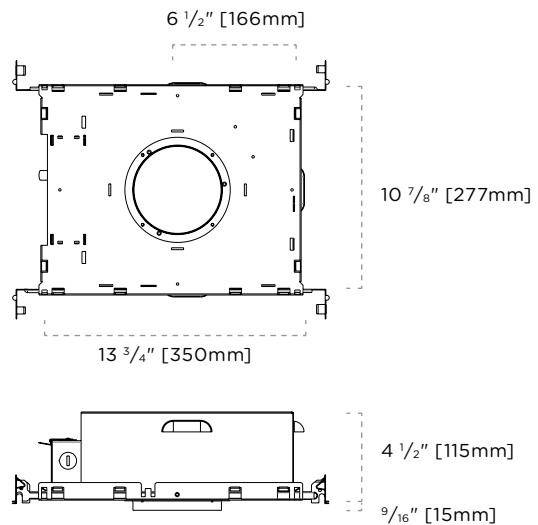
### TRIMMED (7, 9 SERIES)



### TRIMMED + APERTURE COLLAR (3, 5 SERIES)

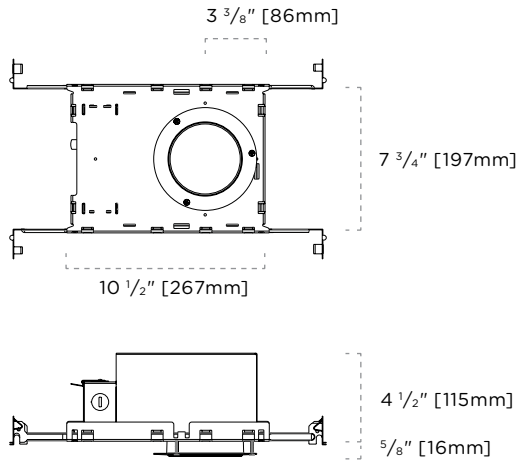


### TRIMMED + APERTURE COLLAR (7, 9 SERIES)



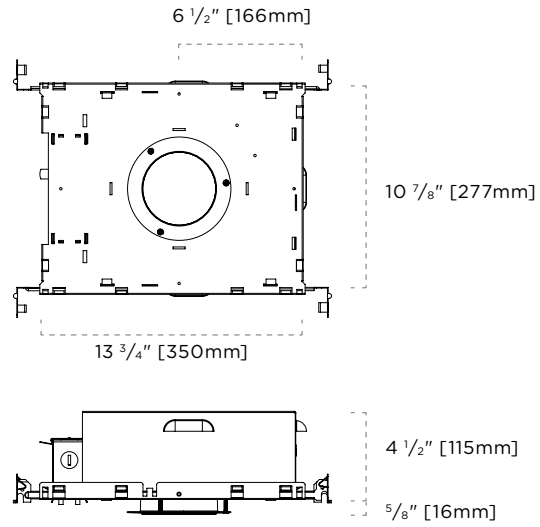
### TRIMLESS (3, 5 SERIES)

(Consult factory for various ceiling thicknesses)



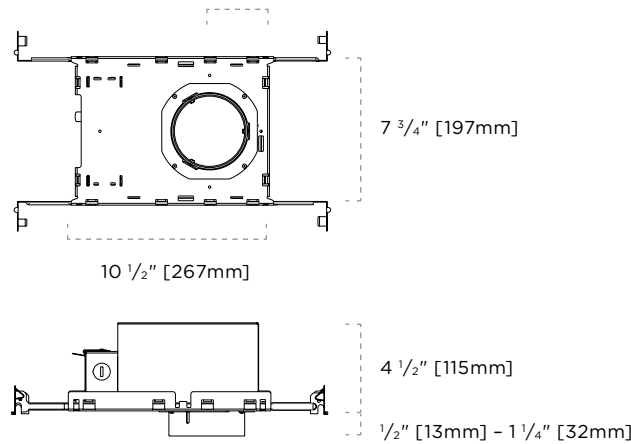
### TRIMLESS (7 SERIES)

(Consult factory for various ceiling thicknesses)



### WOOD TRIMLESS (3, 5 SERIES)

$3 \frac{3}{8}''$  [86mm]



### WOOD TRIMLESS (7 SERIES)

$6 \frac{1}{2}''$  [166mm]

