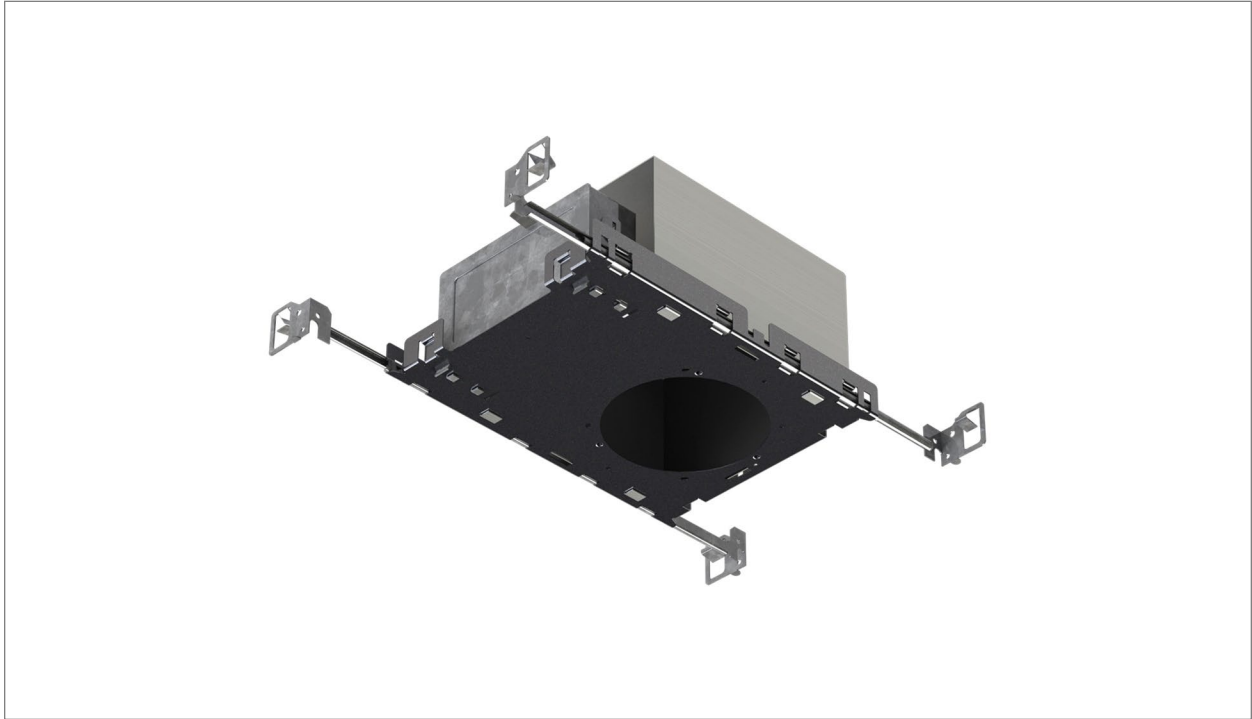


## D4X-F-R

### Round Non-Insulated XTM



The D4X-F-R series is designed for non insulated ceilings. A 20 Ga. Black powder coated rolled steel baseplate is designed for bidirectional mounting of the hanger bars. 18 Ga. galvanized steel junction box with multiple K.O. allows for easy wiring entry. The series is approved for branch circuit wiring.

#### FEATURES

- Utilizes Xicato XTM LED
- 45°C (113°F) operating temperature
- 14"-25" adjustable hanger bars
- 5 junction box knock outs

#### DETAILS

Aperture: 4"  
Shape: Round  
Ceiling: Non-Insulated  
Max. Lumen Output: 2800



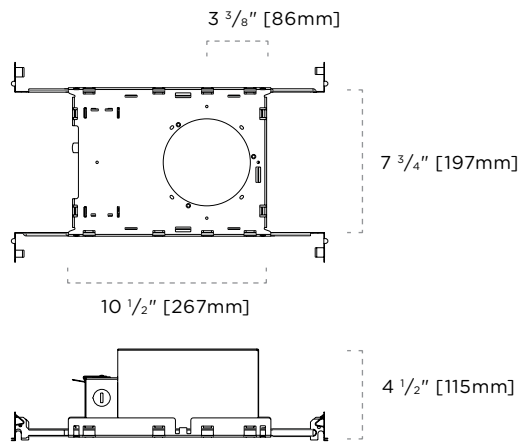
**D4X-F-R-Specs** • Subject to change without notice • Rev 2018.09.20 • 1/6

# Housing Types

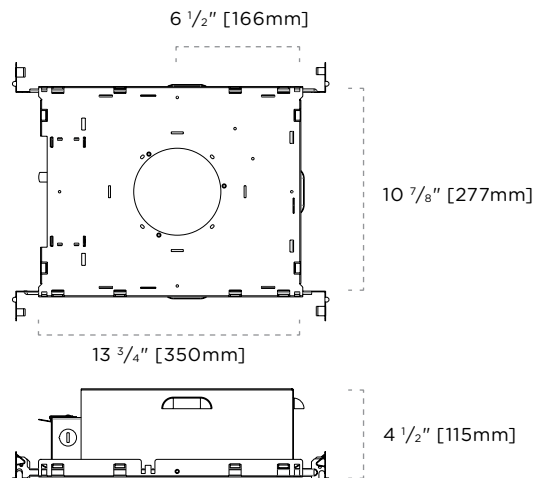
## CEILING CUTOUT

Trim Type	Circular Diameter	
Trimmed	Ø 4.5"	Ø 115mm
Trimmed + Aperture Collar		
Trimless		
Wood Trimless	Ø 3 9/16"	Ø 100mm

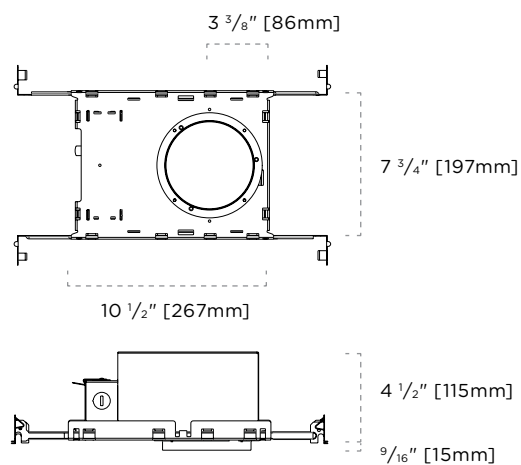
### TRIMMED (3, 5 SERIES)



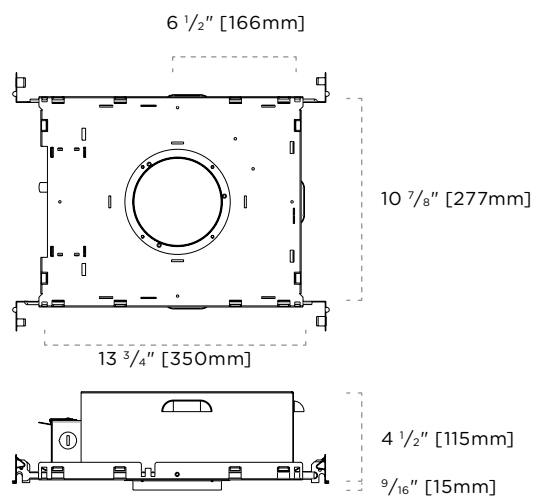
### TRIMMED (7, 9 SERIES)



### TRIMMED + APERTURE COLLAR (3, 5 SERIES)



### TRIMMED + APERTURE COLLAR (7, 9 SERIES)



D4X-F-R-Specs • Subject to change without notice • Rev 2018.09.20 • 2/6

# D4X-F-R

## Round Non-Insulated XTM

Project

Type

Notes

Product Code

1 2 3 4 5 6

### 1. Housing

**D4X-F-R**

### 2. Flange Type <sup>1</sup>

**T** Trimmed

**TL** Trimless

**TLW-XX** Trimless Wood Ceiling <sup>2,3,4</sup>

### 3. Series <sup>1</sup>

**3** XTM 1000 Lumens Max

**5** XTM 1500 Lumens Max

**7** XTM 2000 Lumens Max

**9** XTM 2800 Lumens Max

### 4. Dimming

**D** DALI (1%)

**L** Lutron 3-Wire (1%)

**LE** Lutron Phase (1%) <sup>5</sup>

**LH** Lutron EcoSystem (1%)

**P** 0-10V Dimming (10%)

**P1** 0-10V Dimming (1%)

**S** Phase Dimming (10%) <sup>6</sup>

### 5. Voltage

**120**

**277**

**347** <sup>7</sup>

### 6. Options

**BP** Black Painted Interior

**RCF** Round Aperture Collar <sup>8</sup>

**WP** White Painted Interior

### Notes

<sup>1</sup> Ensure trim compatibility prior to housing order. Conditions may apply.

<sup>2</sup> TL & TLW-XX is not available in 9 series.

<sup>3</sup> TLW-XX wood trimless flange type is matched to trim finish. XX refers to trim finish code and must be specified at time of order. See trim spec sheet for color availability.

<sup>4</sup> TLW-XX wood trimless ceiling thickness to be specified at time of order. Requires consultation with lightheaded sales personnel.

<sup>5</sup> LE dimming is only available in 120V.

<sup>6</sup> S dimming with 277V is non-dimming.

<sup>7</sup> 347V is only available in P dimming.

<sup>8</sup> RCF option is not compatible with TLW-XX wood trimless ceiling.

**D4X-F-R-Specs** • Subject to change without notice • Rev 2018.09.20 • 6/6