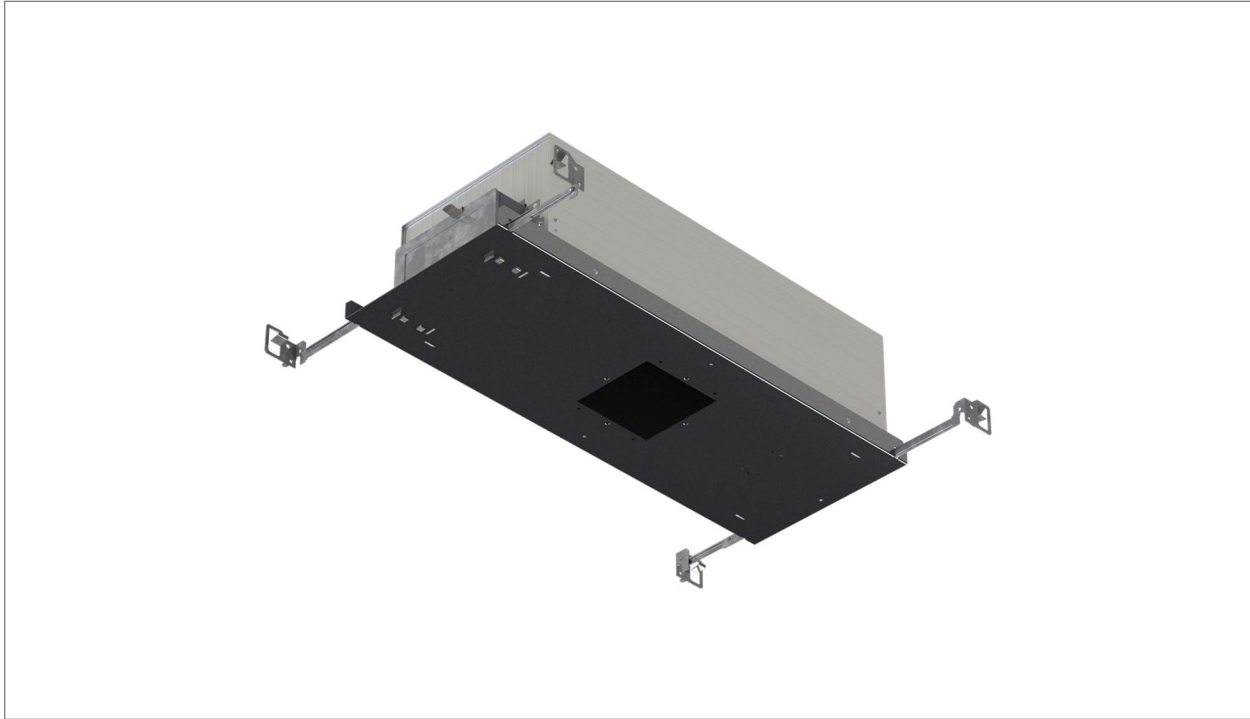




## D4B-IC1A-S

### Square Insulated Airtight Type 1 BRO



The D4B-IC1A-S series housing is designed for insulated and airtight ceilings. A black powder coated 20 Ga. cold rolled steel baseplate with a 18 Ga. galvanized steel junction box with multiple K.O. allows for easy wiring entry. Performing in accordance with ASTM E283-91, the airtight option also meets the requirements of "having no more than 2.0 CFM air movement from the conditioned space to the ceiling cavity" (Sec. 502.4 of 1991 WSEC- Washington State electrical code).

#### FEATURES

- Utilizes BRO series LED
- 40°C (104°F) operating temperature
- 14"-25" adjustable hanger bars
- 5 junction box knock outs

#### DETAILS

Aperture: 4"  
Shape: Square  
Ceiling: Insulated  
Max. Lumen Output: 1800



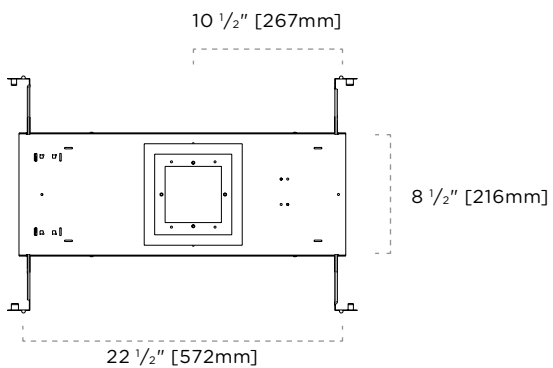
D4B-IC1A-S-Specs • Subject to change without notice • Rev 2018.09.20 • 1/4

# Housing Types

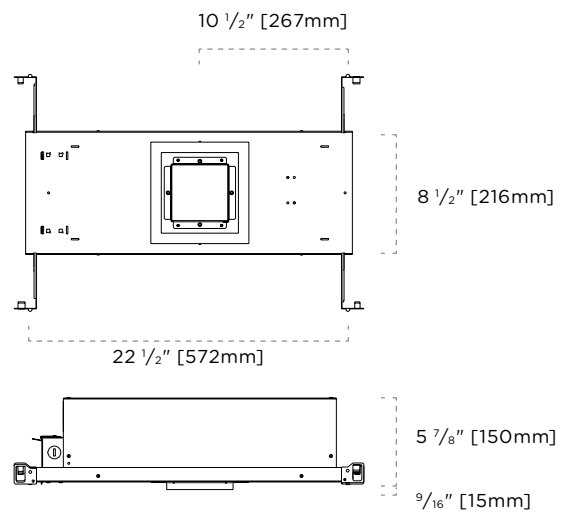
## CEILING CUTOUT

Trim Type	Cutout Length		Cutout Width	
Trimmed	3.875"	99mm	3.875"	99mm
Trimmed + Aperture Collar				
Trimless				
Wood Trimless				

### TRIMMED

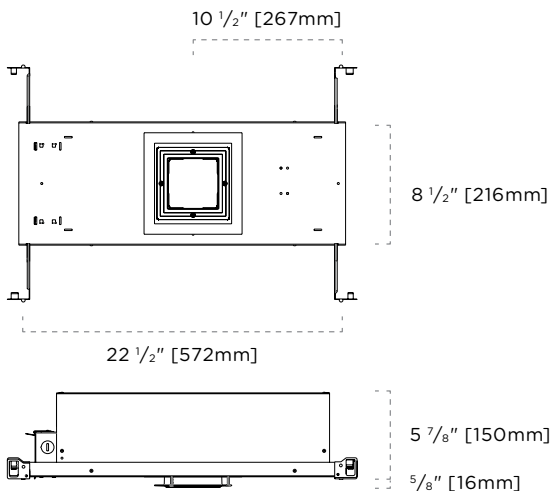


### TRIMMED + APERTURE COLLAR

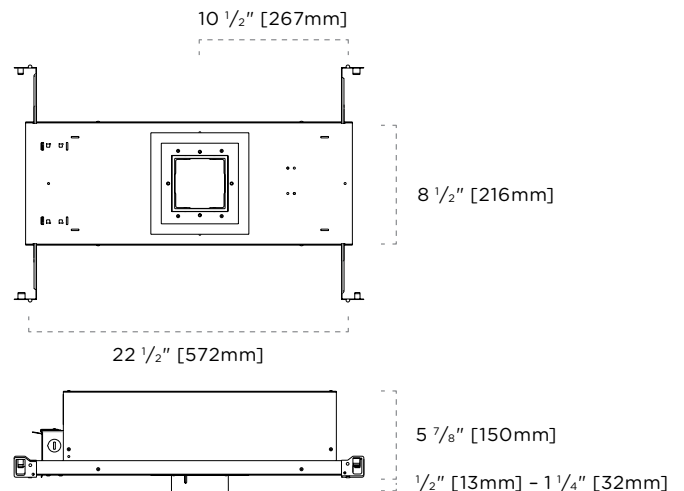


### TRIMLESS

(Consult factory for various ceiling thicknesses)



### WOOD TRIMLESS



# D4B-IC1A-S

## Square Insulated Airtight Type 1 BRO

Project

Type

Notes

Product Code

1 2 3 4 5 6

1. Housing

**D4B-IC1A-S**

2. Flange Type <sup>1</sup>

**T** Trimmed

**TL** Trimless

**TLW-XX** Trimless Wood Ceiling <sup>2,3</sup>

3. Series <sup>1</sup>

**3** BRO 1000 Lumens Max

**5** BRO 1800 Lumens Max

4. Dimming

**D** DALI (1%)

**L** Lutron 3-Wire (1%)

**LE** Lutron Phase (1%) <sup>4</sup>

**LH** Lutron EcoSystem (1%)

**P** 0-10V Dimming (10%)

**P1** 0-10V Dimming (1%)

**S** ELV Dimming (10%) <sup>4</sup>

5. Voltage

**120**

**277**

**347** <sup>5</sup>

6. Options

**BP** Black Painted Interior

**SCF** Square Aperture Collar <sup>6</sup>

**WP** White Painted Interior

Notes

<sup>1</sup> Ensure trim compatibility prior to housing order. Conditions may apply.

<sup>2</sup> TLW-XX wood trimless flange type is matched to trim finish. XX refers to trim finish code and must be specified at time of order. See trim spec sheet for color availability.

<sup>3</sup> TLW-XX wood trimless ceiling thickness to be specified at time of order. Requires consultation with lightheaded sales personnel.

<sup>4</sup> S and LE dimming is only available in 120V.

<sup>5</sup> 347V is only available in P dimming.

<sup>6</sup> SCF option is not compatible with TLW-XX wood trimless ceiling.

**D4B-IC1A-S-Specs** • Subject to change without notice • Rev 2018.09.20 • 4/4