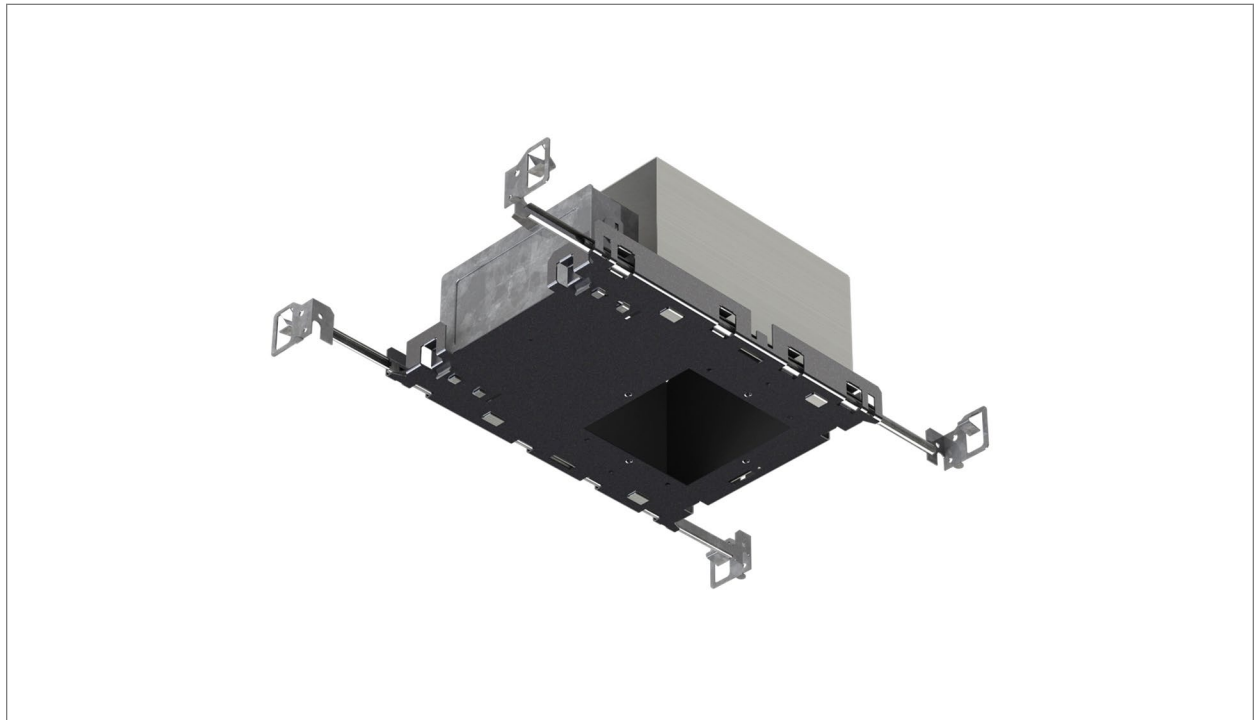


D4X-F-S

Square Non-Insulated XTM



The D4X-F-S series is designed for non insulated ceilings. A 20 Ga. Black powder coated rolled steel baseplate is designed for bidirectional mounting of hanger bars. 18 Ga. galvanized steel junction box with multiple K.O. allows for easy wiring entry. The series is approved for branch circuit wiring.

FEATURES

- Utilizes Xicato XTM LED
- 45°C (113°F) operating temperature
- 14"-25" adjustable hanger bars
- 5 junction box knock outs

DETAILS

Aperture: 4"
Shape: Square
Ceiling: Non-Insulated
Max. Lumen Output: 2800



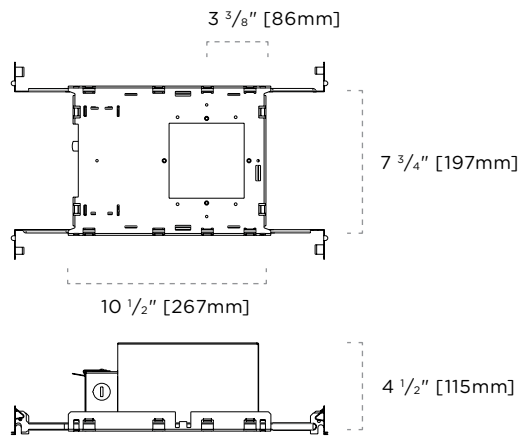
D4X-F-S-Specs • Subject to change without notice • Rev 2018.09.20 • 1/5

Housing Types

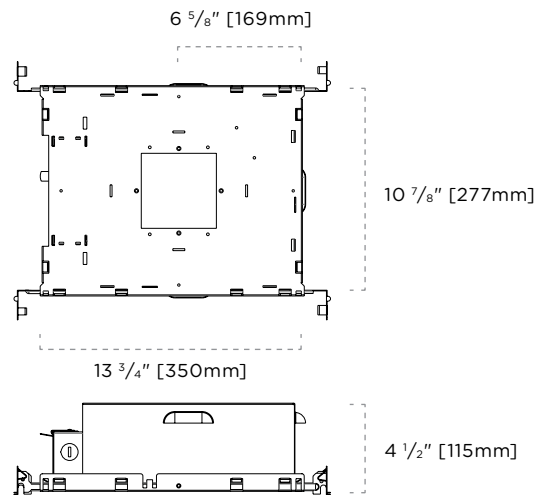
CEILING CUTOUT

Trim Type	Cutout Length		Cutout Width	
Trimmed	3.875"	99mm	3.875"	99mm
Trimmed + Aperture Collar				
Trimless				
Wood Trimless				

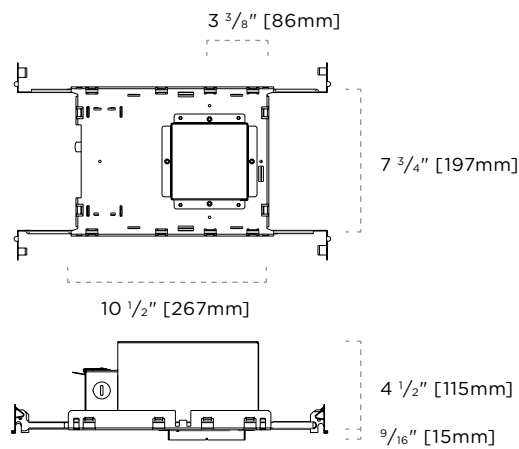
TRIMMED (3, 5 SERIES)



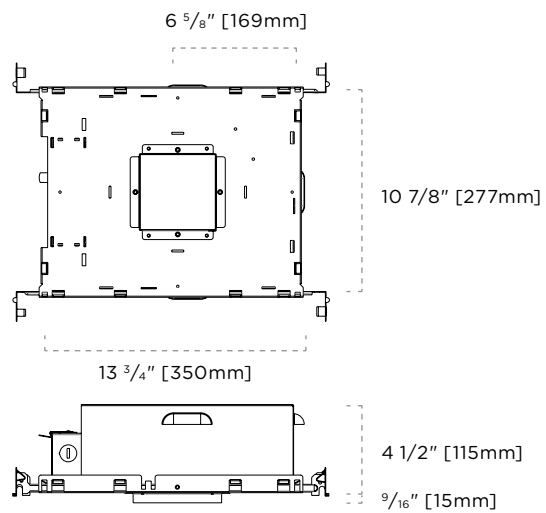
TRIMMED (7, 9 SERIES)



TRIMMED + APERTURE COLLAR (3, 5 SERIES)



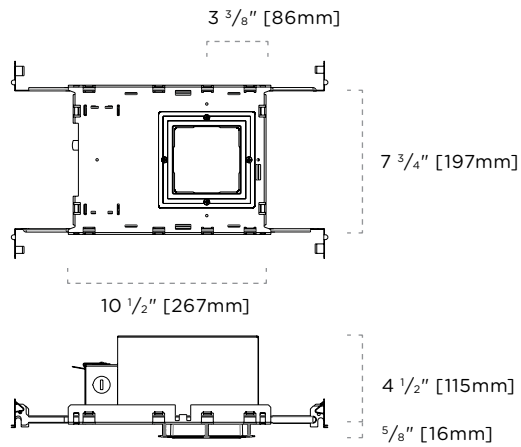
TRIMMED + APERTURE COLLAR (7, 9 SERIES)



D4X-F-S-Specs • Subject to change without notice • Rev 2018.09.20 • 2/5

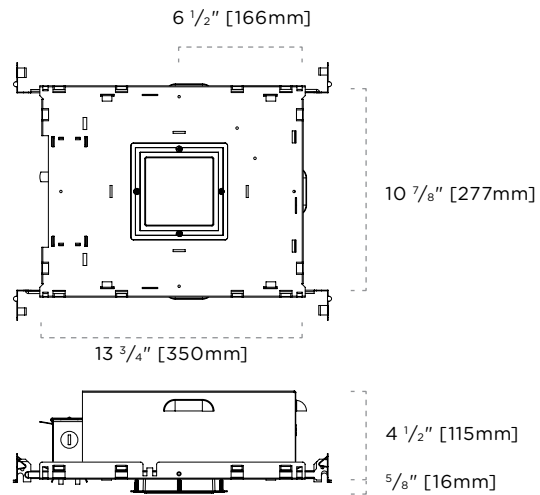
TRIMLESS (3, 5 SERIES)

(Consult factory for various ceiling thicknesses)

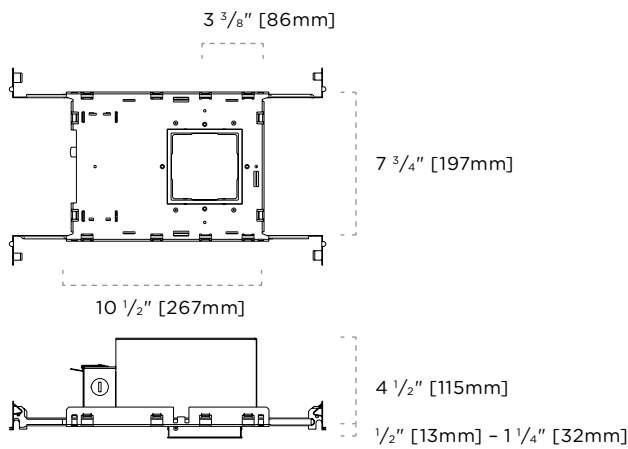


TRIMLESS (7 SERIES)

(Consult factory for various ceiling thicknesses)



WOOD TRIMLESS (3, 5 SERIES)



WOOD TRIMLESS (7 SERIES)

