



2-582-T Quadra Wall Wash XTM



Careful lamp positioning above the glass spread lens optimizes uniformity. The Quadra Wall Wash has a strategically placed reflector and lens that optimizes uniform vertical illumination. It is ideal for wall washing or grazing applications, and the Xicato module produces a light consistency within 2 SDCM (MacAdam Ellipse).

FEATURES

- Utilizes Xicato XTM LED
- Lumen output: 700-2700
- Ideal spacing 30" on center and 24" away from wall
- Die-cast aluminum fixture
- Powder coated trim ring finishes
- Trim clips designed for 5/8" ceiling thickness
- Wet location listed
- L80 @ 50,000 hours

DETAILS

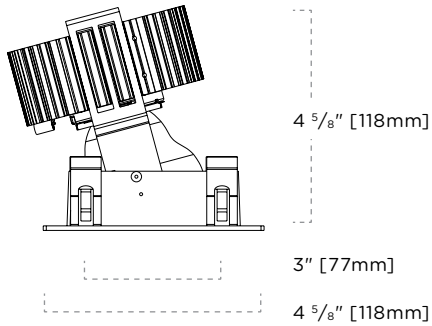
Trim Class: 4"
Category: Recessed Downlight
Shape: Square
Adjustability: Wall Wash



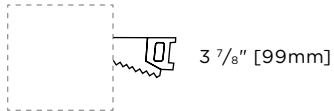
2-582-T-Quadra-Wall-Wash-XTM-Specs • Subject to change without notice • Rev 2017.07.05 • 1/5

Features & Lighting

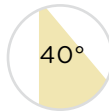
3, 5, 7 & 9 SERIES



CEILING CUTOUT



BEAM SPREADS



FLANGE FINISHES

- White
- Black
- Matte Silver
- Bronze
- Matte Nickel

COLOR TEMPERATURES

- 2700
- 2700 Beauty
- 3000
- 3000 Vibrant
- 3500
- 4000

CRI & LUMENS

SERIES	3		5		7		9	
CRI VALUE	83	98	83	98	83	98	83	98
LUMEN OUTPUT	1000	700	1500	1000	2000	1300	2700	2100
LED WATTAGE	10	9	14	12	20	17	24	24

2-582-T-Quadra-Wall-Wash-XTM-Specs • Subject to change without notice • Rev 2017.07.05 • 2/5

2-582-T

Quadra Wall Wash XTM

Project

Type

Notes

Product Code

1 2 3 4 5 6

1. Trim

2-582-T Quadra Wall Wash

2. Flange Finish

01 White
04 Black
05 Matte Silver
06 Bronze
11 Matte Nickel
CC Custom Color¹

3. Module & Beam Spread

XTM40 40° Beam

4. Color Temperature

27 2700K
30 3000K
35 3500K
40 4000K
BM27 Beauty 2700K²
VB30 Vibrant 3000K

5. CRI, Lumens, Series

8310 83 CRI, 1000 lm, 3 Series
9807 98 CRI, 700 lm, 3 Series
8315 83 CRI, 1500 lm, 5 Series
9810 98 CRI, 1000 lm, 5 Series
8320 83 CRI, 2000 lm, 7 Series
9813 98 CRI, 1300 lm, 7 Series
8327 83 CRI, 2700 lm, 9 Series
9821 98 CRI, 2100 lm, 9 Series

6. Options

EXT Extension Clips (Maximum 2")

Notes

¹ **CC** custom color requires consultation with Lightheaded sales personnel.

² **BM27** beauty color temperature is only available in **9807, 9810, 9813**.

2-582-T-Quadra-Wall-Wash-XTM-Specs • Subject to change without notice • Rev 2017.07.05 • 5/5