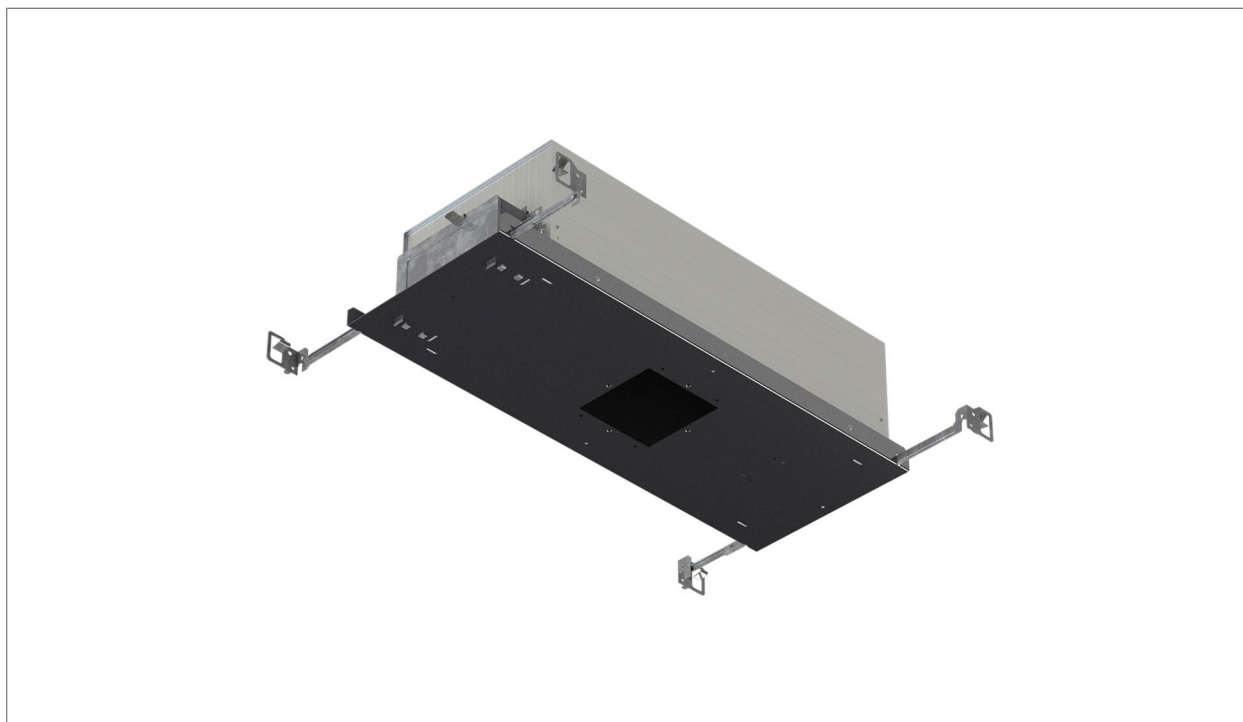


# D4X-IC1A-S

## Square Insulated Airtight Type 1 XTM



The D4X-IC1A-S series is designed for insulated and airtight ceilings. A black powder coated 20 Ga. cold rolled steel baseplate and a 18 Ga. galvanized steel junction box with multiple K.O. allows for easy wiring entry. The housing series is approved for branch circuit wiring. Performing in accordance with ASTM E283-91, the airtight option also meets the requirements of "having no more than 2.0 CFM air movement from the conditioned space to the ceiling cavity" (Sec. 502.4 of 1991 WSEC- Washington State electrical code).

### FEATURES

- Utilizes Xicato XTM LED
- 45°C (113°F) operating temperature
- 14"-25" adjustable hanger bars
- 5 junction box knock outs

### DETAILS

Aperture: 4"  
 Shape: Square  
 Ceiling: Insulated  
 Max. Lumen Output: 1500



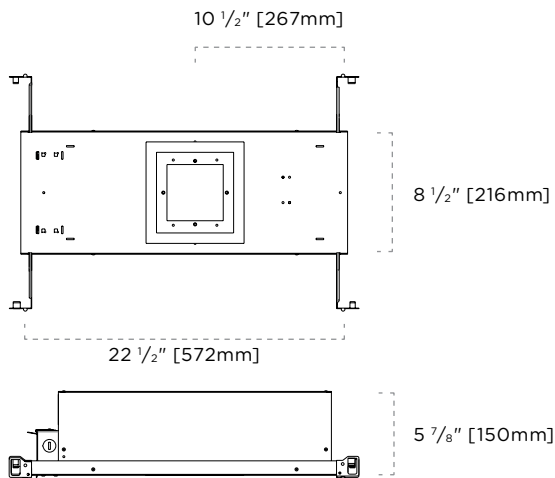
D4X-IC1A-S-Specs • Subject to change without notice • Rev 2018.09.20 • 1/4

# Housing Types

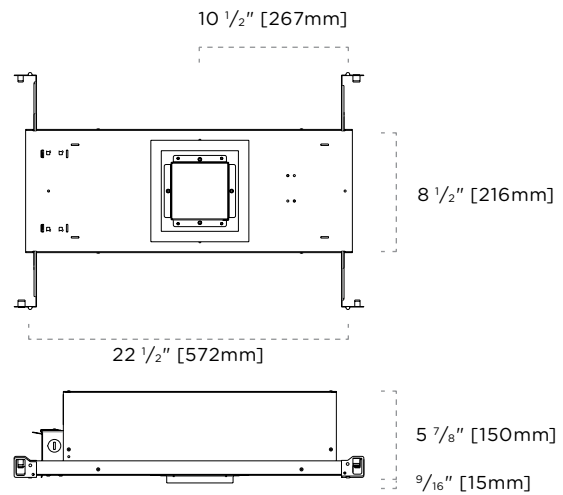
## CEILING CUTOUT

Trim Type	Cutout Length		Cutout Width	
Trimmed	3.875"	99mm	3.875"	99mm
Trimmed + Aperture Collar				
Trimless				
Wood Trimless				

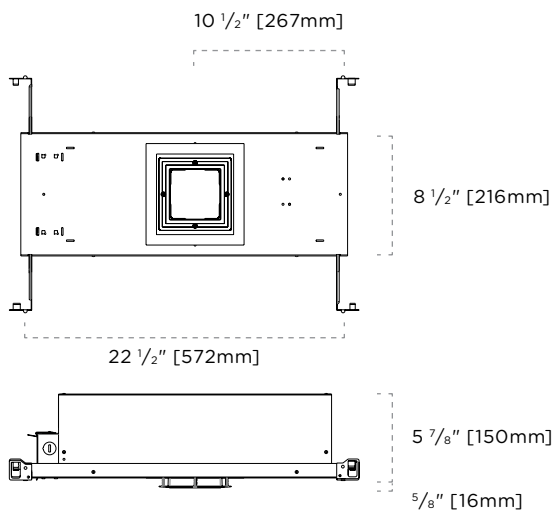
### TRIMMED



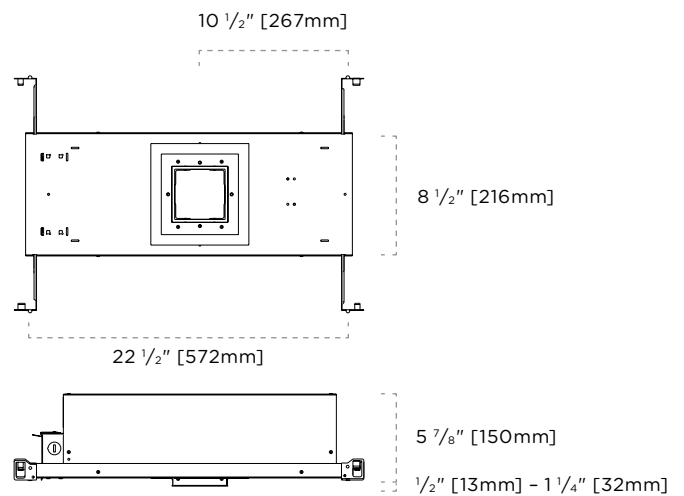
### TRIMMED + APERTURE COLLAR



### TRIMLESS


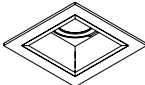


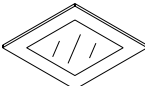
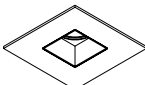


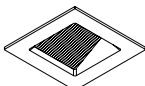






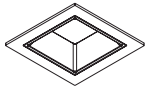
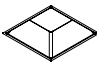



### WOOD TRIMLESS



D4X-IC1A-S-Specs • Subject to change without notice • Rev 2018.09.20 • 2/4

## Compatible Trims

Trim	Flange Type											
	Trimmed				Trimless				Wood Trimless			
	Compatible Series											
	3	5	7	9	3	5	7	9	3	5	7	9
	✓	✓	-	-	✓	-	-	-	✓	-	-	-
2-500 Quadra					-				-			
2-520 Miro												
2-550 Nemo					-				-			
2-580 Forte												
2-582 Quadra Wall Wash					-				-			
2-587 Forte Wall Wash												
2-597 Quadra Linover												
	Compatible Series											
	3	5	7	9	3	5	7	9	3	5	7	9
	✓	✓	-	-	✓	✓	-	-	✓	✓	-	-
2-524 Camber												
2-554 Lensed Camber	