



RS-150KO Transformer



FEATURES

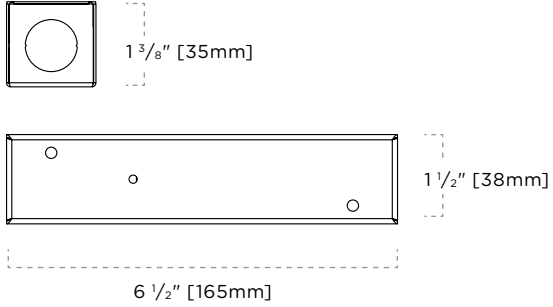
- Electronic transformer
- UL and C-UL recognized
- 13.8oz. (390g)
- 35°C maximum ambient temperature
- 90°C maximum case temperature
- 120V, 50/60Hz input @ 1.25A
- 11.75Vac, 30kHz output @ 12.56A
- 150W maximum load
- 50W minimum load with or without dimming
- 0.985 power factor
- Maximum THD 14.8%
- Auto-reset electronic short circuit, overload protection and thermal cut-off @ 125°C with the fuse on primary.



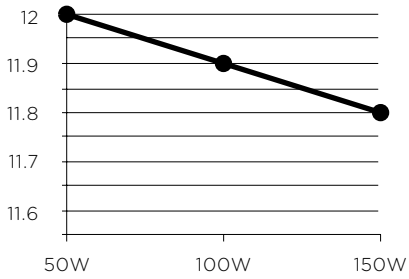
RS-150KO-Specs • Subject to change without notice • Rev 2018.07.09 • 1/3

Features

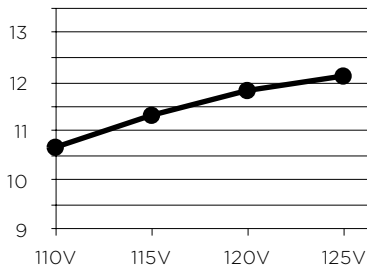
DIMENSIONS



OUTPUT VOLTAGE VS. LOAD @ 120V



OUTPUT VOLTAGE VS. INPUT @ MAX LOAD



RS-150KO Transformer

Project

Type

Notes

Product Code

1

2

1. Transformer

RS-150KO

2. Voltage

120

RS-150KO-Specs • Subject to change without notice • Rev 2018.07.09 • 3/3
