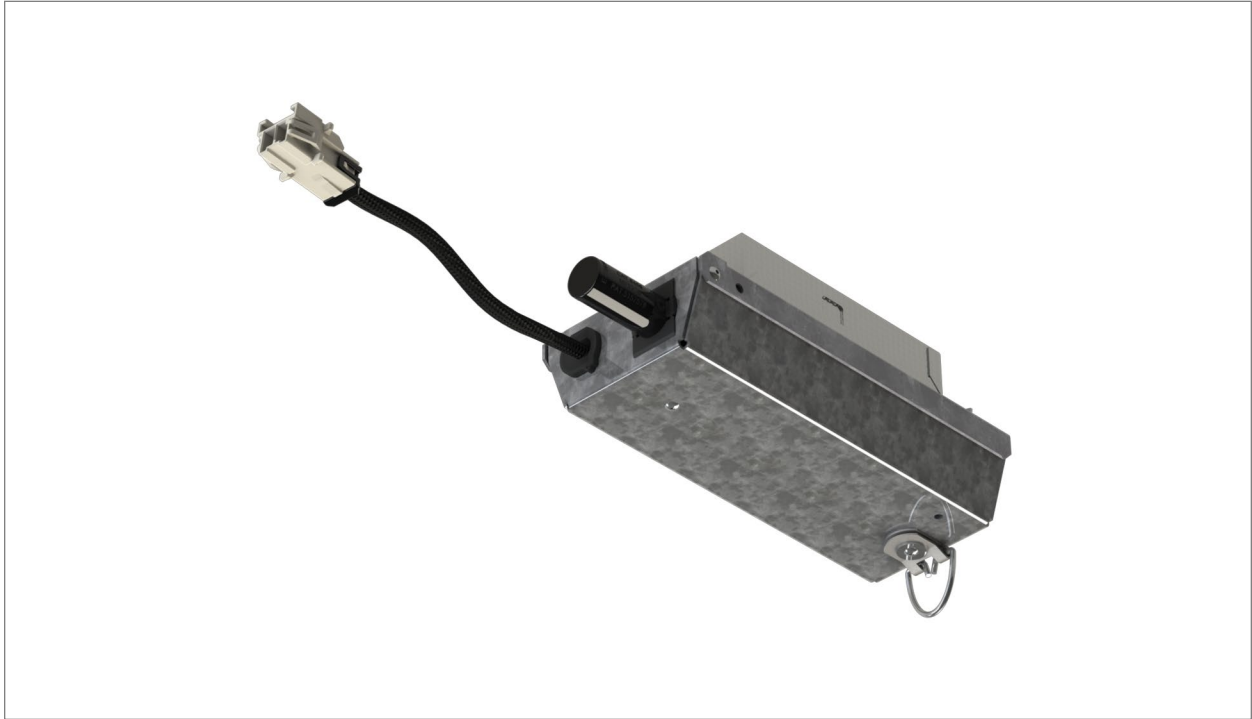




DRX Remodel Driver XTM



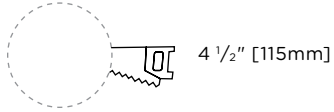
- Utilizes Xicato XTM LED
- Rated for non insulated ceilings only
- 18 Ga. galvanized steel junction box
- Junction box allows for easy wire entry
- Approved for branch circuit wiring
- Design allows for installation of very shallow plenums as low as 4 1/2"
- Thermal feedback protection
- Compatible with R4P housings



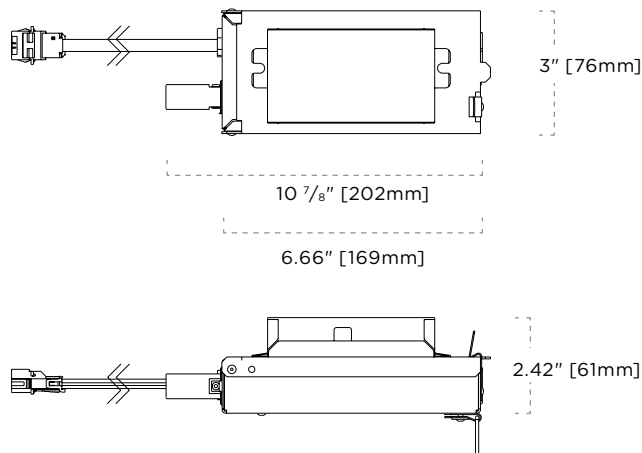
DRX-Specs • Subject to change without notice • Rev 2017.01.23 • 1/5

Driver Types

CEILING CUTOUT



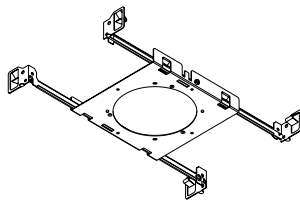
DIMENSIONS



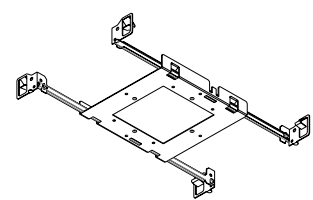
Compatible Housings

SPECIALIZED

R4P-F-R
Round Remodel Pan
3, 5, 7 Series
L 6 1/2" [166mm]
W 6 3/8" [162mm]
H 1" [26mm]



R4P-F-S
Square Remodel Pan
3, 5, 7 Series
L 6 1/2" [166mm]
W 6 3/8" [162mm]
H 1" [26mm]



DRX

Remodel Driver XTM

Project

Type

Notes

Product Code

1 2 3 4

1. Driver

DRX Retrofit Xicato XTM

2. Series

3 XTM 1000 Lumens Max

5 XTM 1500 Lumens Max

7 XTM 2000 Lumens Max

9 XTM 2700 Lumens Max

3. Dimming

D DALI (1%)

L Lutron 3-Wire (1%)

LE Lutron Phase (1%)¹

LH Lutron EcoSystem (1%)

P 0-10V Dimming (10%)

P1 0-10V Dimming (1%)

S ELV Dimming (10%)²

4. Voltage

120

277

Notes

¹ **LE** dimming is only available in **120** voltage.

² **S** dimming with **277** voltage is non-dimming.

DRX-Specs • Subject to change without notice • Rev 2017.01.23 • 5/5
