

RL373 LED

3" RECESSED GIMBAL SLIM LED

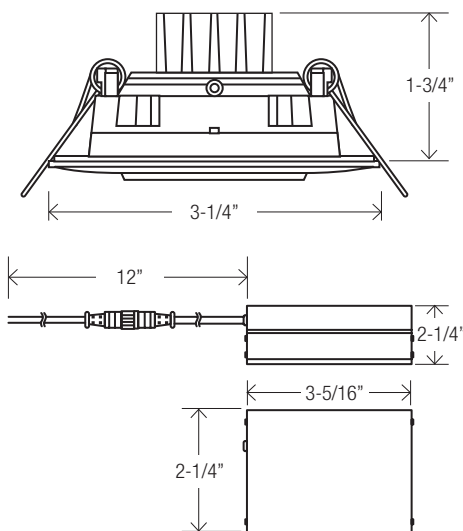


30° Tilt / 360° Rotation

NEW
ADJUSTABLE
DESIGN

DIMENSION

CUT-OUT: 2-3/4" TO 3"



INSTALLATION

- Cut hole in ceiling and snap fixture in opening with attached spring clips. Space in ceiling needed for the driver to fit through the ceiling hole – 2".



CERTIFICATIONS

- ENERGY STAR

3" RECESSED GIMBAL SLIM LED

- ▶ **1-3/4" THIN LED FIXTURE WITH HIGHER BRIGHTNESS**
- ▶ **FOR NEW CONSTRUCTION – INSULATED AND DROPPED CEILINGS**

| INPUT VOLT. | INPUT FREQ. | THD | POWER FACTOR | INPUT POWER | LUMENS |
|-------------|-------------|------|--------------|-------------|--------|
| 120 | 60Hz | <20% | >0.98 | 8W(+/-5%) | 600L |

FEATURES

Gimbal 3" fixtures with integral LEDs. Isolated external driver factory installed inside junction box. One driver for every fixture required. PF>0.98.

- ▶ Dimmable
- ▶ Energy Star Certified
- ▶ Type IC Rated – Approved for direct contact with insulation
- ▶ Air-tight and damp location approved
- ▶ Directional beam - great for sloped ceilings and highlighting artwork
- ▶ Pot light housing is not required even for insulated ceilings
- ▶ Fast and easy to install in limited space locations
- ▶ External driver factory mounted inside connection box - 120V
- ▶ New construction rough-in plates and jumper cables available
- ▶ Available Temperatures (2700K and 3000K)
- ▶ 50,000 Hours Life; 5 Year Warranty

TECHNICAL SPECIFICATIONS

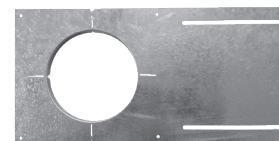
- ▶ **WATTAGES:** 8W
- ▶ **OUTPUT:** Default Driver Voltage: 120V AC 60 Hz (Dimmable)
- ▶ **CRI:** 90+
- ▶ **AMBIENT TEMPERATURE:** -40°F (-40°C) to +104°F (+40°C)



RL-ACC-SLIM-1-10F
10-ft long extension



RL-ACC-SLIM-1-20F
20-ft long extension



RL-ACC-SLIM-3-ROUGHPLATE

EXAMPLE: **RL373-600L-DIMTR-120-30K-90-WH**

| TYPE | LUMEN | CCT | CRI | BEAM ° | FINISH | ACCESSORIES |
|--------------|--|--|------------|--|---|--|
| RL373 | <input type="checkbox"/> 600L-DIMTR-120 <input type="checkbox"/> 600L-277-347 (Non-Dimmable) | <input type="checkbox"/> 27K <input type="checkbox"/> 30K | 90+ | <input type="checkbox"/> ND (24°) <input type="checkbox"/> MD (38°) <input type="checkbox"/> WD (60°) | <input type="checkbox"/> WH (White) <input type="checkbox"/> BK (Black) <input type="checkbox"/> SN (Satin Nickel) | <input type="checkbox"/> RL-ACC-SLIM-1-10F <input type="checkbox"/> RL-ACC-SLIM-1-20F <input type="checkbox"/> RL-ACC-SLIM-3-Roughplate |

LED

3"

3 INCH LED RETROFIT MODULE