

LED-CHL-BND

PROJECT	TYPE
CATALOG NUMBER	

PRODUCT DESCRIPTION

Extruded aluminum flexible channel with snap-in frosted acrylic lens that enables free-form, large radius mounting of most GM Lighting LED linear tape.

FITS THE FOLLOWING GM LIGHTING LED LINEAR TAPE

- LTR-300 Series
- ESR Series
- CTK Series
- HDT Series

MOUNTING OPTIONS

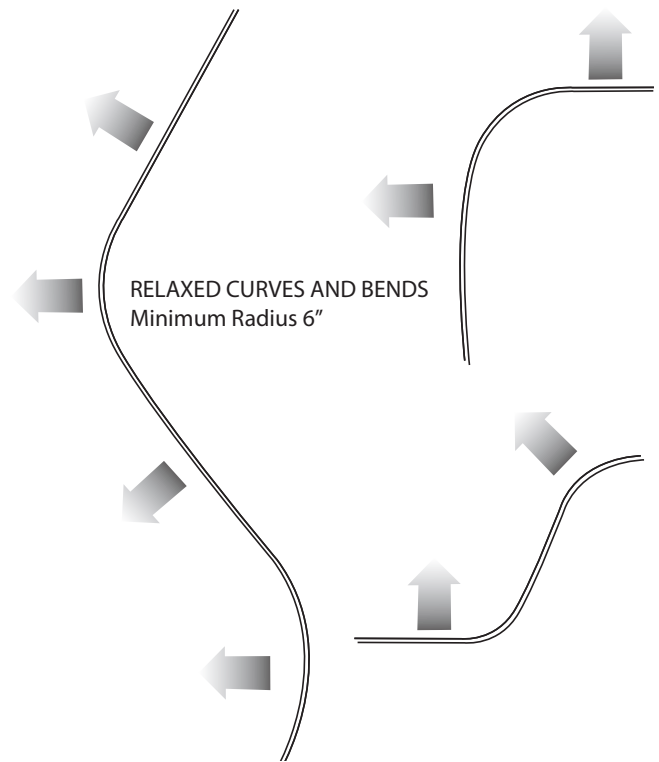
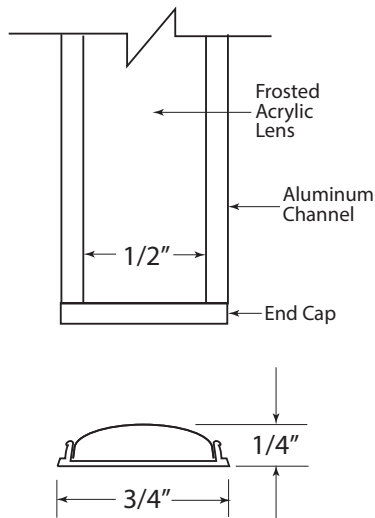
#4 1/2" Phillips Flathead Screws (included)
 Clips and Screws (included).

LENS:

Supplied with bendable acrylic frosted lens.

END CAPS:

Available separately. See below.



Accessories	
LED-CHL-BEND-EC	Bendable LED Aluminum Channel End Caps (pair - one with hole, one without)

Model Number	Description	Length	Height	Width	Finish
LED-CHL-BND-4	Bendable LED Aluminum Channel with Frosted Lens	48"	1/4"	3/4"	Aluminum
LED-CHL-BND-8	Bendable LED Aluminum Channel with Frosted Lens NOTE: 8' CHANNEL IS SOLD IN QUANTITIES OF 5 OR MORE	96"	1/4"	3/4"	Aluminum
Each channel comes with mounting hardware.					