

**24 VDC LED
ELECTRONIC
DIMMABLE POWER
SUPPLY BY**



Project: _____

Type: _____

Location: _____

Contact Phone: _____

PRODUCT DESCRIPTION

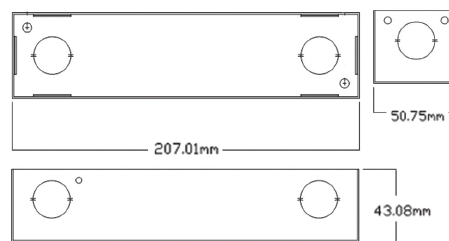
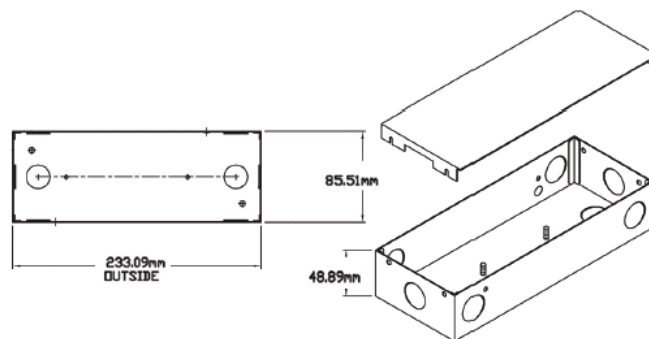
AC input / full range electronic power supply that features short circuit, overload, and over voltage protection. 12VDC output 120VAC input 85%+ typical efficiency. ELV dimmable, power supplies can be fully loaded.

PRODUCT SPECIFICATIONS

Construction: Full metal enclosure. No external fusing required. High operating temperature up to 90°C (158°F). Maximum case temperature. Plug in unit has plastic housing and on/off rocker switch, 60" cord and 3 prong plugin. Plug in unit is also dimmable.

Electrical: Output voltage 24VDC , overload protection. Overload recovers automatically after fault condition is removed. Has 4" hardwire leads inside, 6 knockouts, and screw mounted enclosure cover.

Label: cRUus listed. meets UL 2108 requirements Not rated for outdoor use. Dry location only



Catalog Number	Max. Wattage	Input Voltage	Output Voltage	Weight	Dimensions		
					L	W	H
LTF-30-24	30	120	24VDC	1.50LBS	8"	3.0	2.0"
LTF60-24	60W	120V	24VDC	1.50LBS	8"	3.0"	2.0"
LTF100-24	100W	120V	24VDC	1.50 LBS	9.5"	3.5"	2.0"
LTF200-24	200W	120V	24VDC	1.65 LBS	9.5"	3.5"	2.0"
LTF300-24	300W	120V	24VDC	1.65 LBS	9.5"	3.5"	2.0"

For voltage drop - see www.gmlighting.net/voltagedrop.html or consult GM Lighting Product catalog, page .

