

**12VDC LED ELECTRONIC
DIMMABLE 60W CLASS 2
POWER SUPPLY**
by

GM Lighting

Project: _____

Type: _____

Location: _____

Contact Phone: _____

PRODUCT DESCRIPTION

Hardwire 12VDC LED dimming power supply that works with conventional low voltage electronic wall mount dimmer with on/off switch. No minimum load (can be fully loaded). Auto reset.

PRODUCT SPECIFICATIONS

Construction: Transformer is encapsulated in all aluminum construction NEMA 3R enclosure. Enclosure temperature should not exceed 70°C (158°F) @ 40°C (104°F) ambient. Wiring compartment has 2 knockouts sized for 1/2" screw cable connectors. Removable cover for wiring compartment is secured in place by screw. Black powder coated.

Electrical: Thermal class B-130C. Input leads are 14 AWG. Output leads are 18 AWG. Lead insulation rated to 105°C (221°F). Transformer utilizes a class B 130°C (266°F) insulation system. Maximum load is 96W at 90% efficiency. Input voltage is 120V @ 60 Hz. Auto reset.

Leads: Primary: PVC 600 V #14

Secondary: PVC 300 V #18

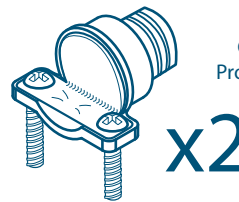
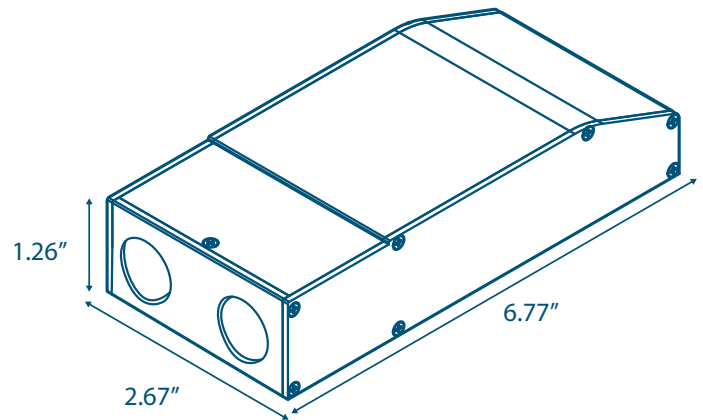
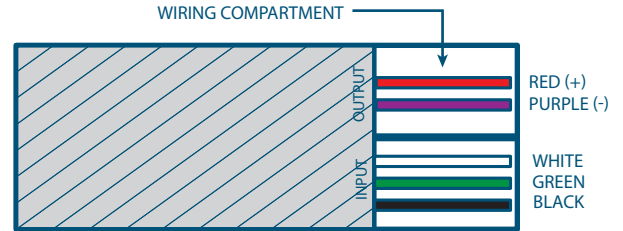
Dimming: Works with low-voltage ELECTRONIC wall dimmer with on/off switch.

Mounting: Surface mount with front mounting tab.

Label: cULus

Warranty: 5 years.

NOTE: Not for use with GMR4, GMR6 or SDP pucks



Two Clamp
Connectors
Provided with
each unit



E465183

Catalog Number	Max. Wattage	Input Voltage	Output Voltage	Input current	output current	Weight	Dimensions		
							L	W	H
LTHE-60-DIM-12	60W	120V/60Hz	12 VDC	0.61A	5.26A MAX	1.2 lbs.	6.77"	2.67"	1.26 "

For voltage drop - see www.gmlighting.net/voltagedrop.html or consult GM Lighting 2011 New Product Product Brochure, page .

GM Lighting

GM Lighting, LLC • 9830 W. 190th St. • Unit F • Mokena, IL 60448
Toll-Free: (866) 671-0811 FAX: (708) 478-2640 • www.gmlighting.net

e-mail: sales@gmlighting.net • Specifications subject to change without notice.
LTHE-60-DIM-12_080917