

12VDC DIMMABLE ELECTRONIC POWER SUPPLY CONSTANT VOLTAGE TRIAC DIMMABLE DRIVER



PRODUCT DESCRIPTION

A 12VDC constant voltage, Phase / Triac dimmable 15W, 24W and 60W power supply that is especially suitable for GM Lighting LED Slim Pucks, LED Slim Puck Mini, along with tape and lightbars.

PROJECT	TYPE
CATALOG NUMBER (FOR CUSTOM LENGTHS, PLEASE SEE ORDERING EXAMPLE BELOW)	

FEATURES

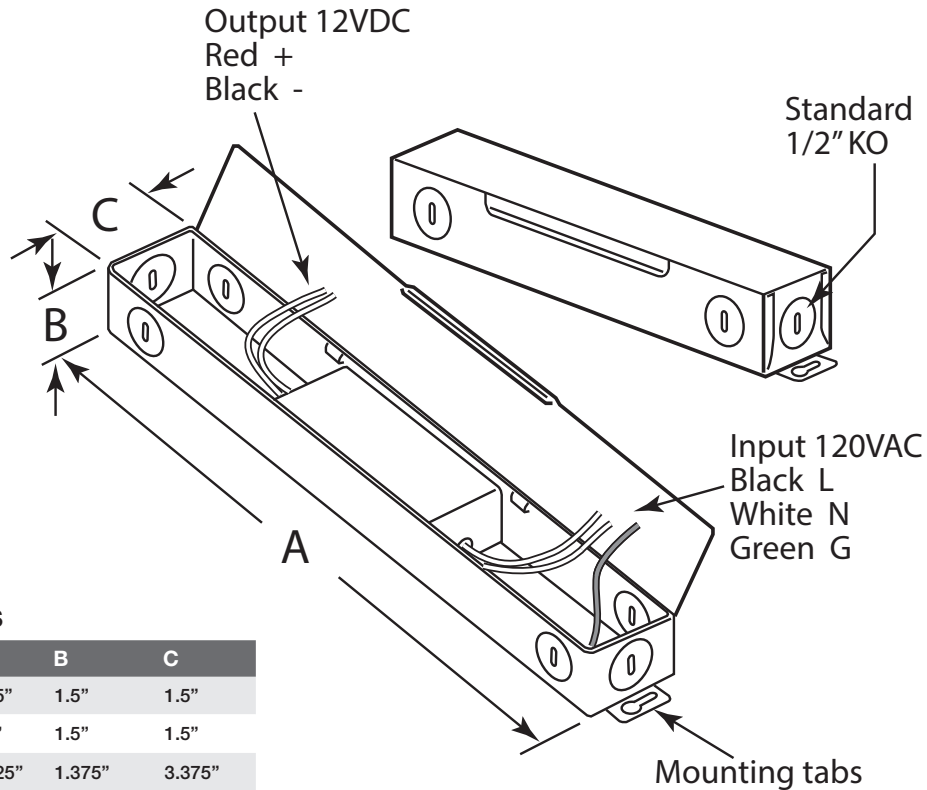
- 12VDC constant voltage output
- 120V input
- High efficiency: up to 80%
- Protection: short circuit / over voltage
- Integrated junction box for hard wire installation
- Cooling by air convection
- Flicker-free 20% - 100% dimming
- Damp location - IP20

LABEL

- cETLus
- IP20
- Class 2

WARRANTY

- 5 year warranty



KEY TO DIMENSIONS

Catalog No.	A	B	C
PSD15-12	8.25"	1.5"	1.5"
PSD24-12	9.8"	1.5"	1.5"
PSD60-12	7.125"	1.375"	3.375"



ORDERING INFORMATION

Catalog No.	Wattage	Input	Output	Rated Current	Weight	Warranty
PSD15-12	15W	120VAC	12VDC	1.25A	11.1 oz.	5 years
PSD24-12	24W	120VAC	12VDC	2A	13.8 oz.	5 years
PSD60-12	60W	120VAC	12VDC	5A	16.4 oz.	5 years