

PowerTap

Streetlight Plug-In Power Tap (KPT0170-010)



Unlock Potential with PowerTap

The new PowerTap by Intermatic helps utilities, municipalities and co-ops leverage existing light pole infrastructure to provide power to auxiliary devices without hardwiring into an existing power feed. A cost-effective retrofit solution, PowerTap integrates with standard ANSI C136.41 7-pin receptacle connectors without disturbing the functionality of existing luminaires or control nodes.

Features and Benefits

- **Quick Installation** – Secure PowerTap to most luminaires in minutes without hardwiring into an existing power feed or disrupting photocontrol functionality
- **Cost Effective** – An economical way to bring power to existing infrastructure without changing the entire light pole
- **ANSI Compatibility** – Plugs into standard ANSI C136.41 7-pin receptacle connectors located on top of the luminaire, accommodates 7-pin control nodes (standard locking-type photocontrols and wireless control nodes)
- **Uninterrupted Functionality** – Does not disturb the functionality of existing photocontrols or control nodes attached to the pole
- **Overcurrent Protection** – Protects hardware and branch circuit with an auto-resetting circuit breaker

Applications

Use PowerTap to power the following types of auxiliary devices:

- Wi-Fi Access Points
- Security Cameras
- Communication Equipment
- Gateway Devices
- Sensors (i.e., Traffic, Weather)



PowerTap

Streetlight Plug-In Power Tap (KPT0170-010)

Specifications

Construction:

- Size: 3.42" (87 mm) Dia, 3.63" (92 mm) High
- Body: UV stabilized polypropylene
- Contacts:
 - Power: Brass / Phosphor Bronze
 - Signal: Nickel/Gold Plated Bronze
- Power Cable Out:
 - STOOW cord, .314" (8 mm) OD, 10 ft long
 - 2 x 16 AWG wire leads, Flush cut
- Gasket:
 - Thermal Elastomer

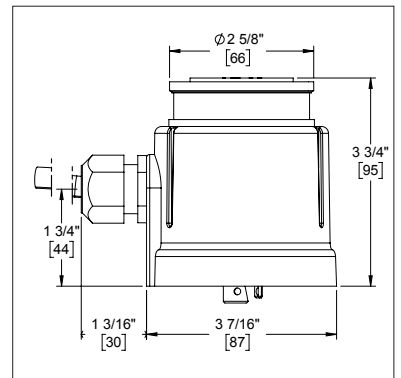
Electrical Rating:

- Power Contacts: 120 V, 15 A max Total (Luminaire plus Branch circuit power)
- Power Branch Circuit: 120 VAC, 5 A max, ALWAYS ON
 - 5 A from -40° C to 50° C, derate at 0.1 A/° C above 50° C up to 70° C max
- Signal Contacts: 30 VDC, 0.25 A max
- Branch Circuit Protection: 120 V, 10 A, auto-resetting circuit breaker

Operating Temperature: -40° C to 70° C

Applicable Standards:

- ANSI C136.41 and ANSI C136.10



| Model # | Description | Cable Length (ft) |
|-------------|--|-------------------|
| KPT0170-010 | PowerTap, 7-pin, STOOW, 16 AWG PWR CORD, 120 V, 5 A, ALWAYS ON | 10 ft |

