



Project:	Type:	QTY:
Product Code:		

Product Code

IP50 - 602100 - TRIM COLOR - LAMP - VOLTAGE
 BN=Brushed Nickel 1W3K=3000K 12VDC

Features + Specifications

Intended Use:

- Building interior
- Under cabinet
- Inside cabinet

Construction:

- Metal trim with plastic injection body
- Complete with 20cm low voltage lead wire

Finish:

- Brushed nickel

Optical System:

- Multiple 3020 LED 50,000+ hrs rated
- 3000K with 80+ CRI
- 110° beam spread with magnified lens

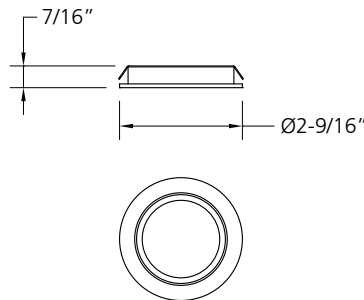
Electrical System:

- Built in current limiting circuit
- RoHS compliant
- For any 12V DC source

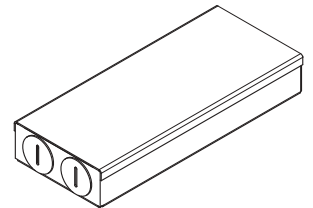
Accessories:

- 12W dimmable power supply **PSCV-1212-D1** (sold separately)
- Surface mount ring **602100SMR** (sold separately)

Installation hole
cut out size: Ø2-1/8"



PSCV-DC12/14-D1
(L6" W2-1/2" H1-1/4")



Lamp Info Table		
Lamp Code	Rated Lumens	Perceived Lumens
1W3K	55	100

Right reserved for material and spec. modification without prior notice.

Datecode 20151110

Warranty - Up To 3 Years

Certified to CSA C22.2 No.250.0 Conformed to UL 1598
 Certification Marks (where applicable) will be found on our luminaires and its components



www.iplighting.com

Light of Your World

