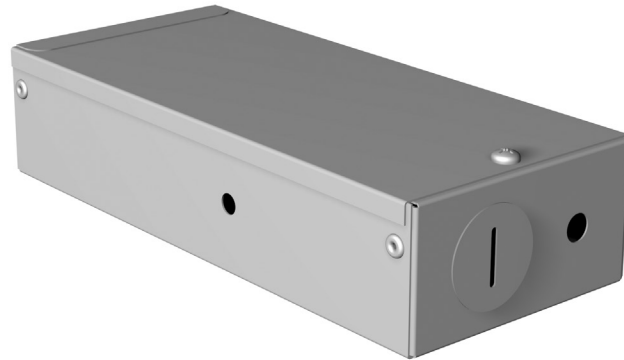




Project:	Type:	QTY:
Product Code:		

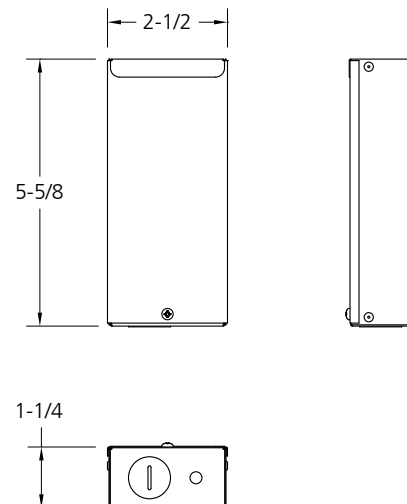


Right reserved for material and spec modification without prior notice.

## Features + Specifications

### Electrical System:

- 120V, 12W dimmable Class II hard wire power supplies



Datecode 20150412

Warranty - Up To 3 Years

Certified to CSA C22.2 No.250.0 Conformed to UL 1598  
Certification Marks (where applicable) will be found on our luminaires and its components



[www.iplighting.com](http://www.iplighting.com)

