

# APEX

## RECESSED DOWNLIGHT SERIES BY NDR

The Apex Series is a high-performance LED recessed downlight which comes with pressure-fit spring clips for an easy installation. Integrated LED technology offers low-energy, long lasting performance with outstanding light outputs up to 2630 lumens.

The body is constructed of die-cast aluminum in 3", 4", 6" & 8" trim sizes with a junction box manufactured in aluminum extrusion. The Apex Series is ideal for replacement of existing CFL/PL, fluorescent or incandescent fixtures. Well adapted for any new, remodel or old commercial applications. For easy and quick installation, the unit comes with pressure-fit spring clips, quick connect wire connectors and is IC rated.

### RATINGS AND CERTIFICATIONS

IC rated  
Damp location rated  
Fire rated FT4 wires (UL 2464)  
CSA certified for USA and Canada

### GENERAL FLOOD REFLECTOR

High quality polycarbonate 60 degree reflector designed for maximum reflection efficiency  
Deep regressed diffuser to eliminate the glare from the high-powered LED  
Available with white or chrome reflector

### EASY INSTALLATION

Each unit includes a junction box with driver, pressure-fit spring clips and Quick Connect wire connectors for fast and easy installation

### 2 FINISHES

White finish with white reflector or white finish with chrome reflector

### 3 COLOR TEMPERATURES

3,000 K, 4,000 K and 5,000 K



# APEX

SERIES

## HIGH PERFORMANCE RECESSED DOWNLIGHT



[www.ndrelectric.com](http://www.ndrelectric.com)

t. 514.695.8228 t.f. 1.855.739.8228 f. 514.695.9009  
166 Brunswick Boulevard, Montreal, Quebec H9R 5P9

# APEX

LED HIGH PERFORMANCE RECESSED DOWNLIGHT

# COMPONENTS

VERSATILE PARTS FOR EASY INSTALLATION

# PHOTOMETRICS

6" APX610

Using state-of-the-art technology, the Apex Series was designed with performance in mind and allows for quick installation in both commercial and residential applications. Its superior brightness and low power usage make it the ideal lighting solution.

It features a 0-10 V dimmable driver (120-277 V). An optional 120 V dimmable driver is available.



## SIZE & MODELS

Size	600 lumens	870 lumens	1660 lumens	2630 lumens	3000 lumens
3"	APX310-0510-3K-WH APX310-0510-4K-WH APX310-0510-3K-WCH APX310-0510-4K-WCH	APX410-0510-3K-WH APX410-0510-4K-WH APX410-0510-3K-WCH APX410-0510-4K-WCH	APX610-1520-3K-WH APX610-1520-4K-WH APX610-1520-5K-WH APX610-1520-3K-WCH APX610-1520-4K-WCH APX610-1520-5K-WCH	APX810-2530-3K-WH APX810-2530-4K-WH APX810-2530-5K-WH APX810-2530-3K-WCH APX810-2530-4K-WCH APX810-2530-5K-WCH	available soon

Finish	Color Temperature
WHITE WITH CHROME REFLECTOR	3,000 K   4,000 K   5,000 K



## 1 SPRING CLIPS AND FLANGES

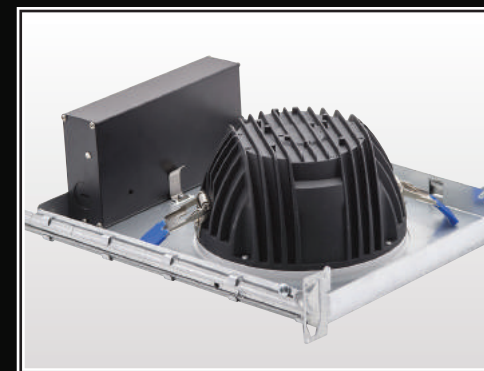
- Heavy duty mounting clips are designed for sturdy installation and prevent springs from falling off during installation
- Large flange feature allows for compensation if hole cut-outs are done incorrectly

## 2 MOUNTING PLATES WITH HANGER BARS

- Recommended for new construction or suspended ceiling applications

## 3 JUNCTION BOX

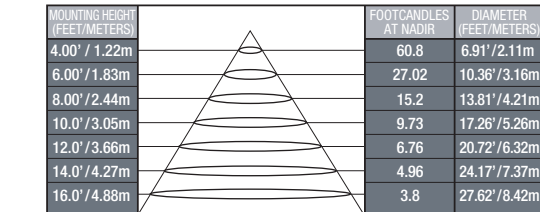
- "Quick Connect" wire connectors for a quick wire connection
- Standard 120-277 V (0-10 V dimmable) driver; with an optional 120 V or 347 V driver available as a special order



## ZONAL LUMEN SUMMARY

ZONE	LUMENS	% OF LUMINAIRE
0-40	1084.1	63.32
0-60	1556.5	90.91
0-90	1712.1	100
90-180	0	0

## FOOTCANDLE DIAGRAM



## COEFFICIENTS OF UTILIZATION

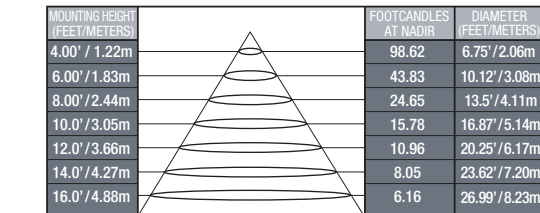
Room Cavity Ratio (RCR)	80				70				50				30				10				0					
	70	50	30	10	70	50	30	10	50	30	10	50	30	10	50	30	10	50	30	10	50	30	10	50	30	10
0	1190	1190	1190	1190	1160	1160	1160	1160	1110	1110	1110	1060	1060	1060	1020	1020	1020	1000	1000	1000	1000	1000	1000	1000	1000	1000
1	1110	1070	1040	1010	1080	1050	1020	990	1010	980	960	970	950	930	930	920	900	880	880	870	850	830	810	790	770	770
2	1030	960	910	860	1000	940	890	850	910	870	830	880	840	810	850	820	790	770	770	750	730	710	690	670	650	650
3	950	870	800	740	930	850	790	740	820	770	730	800	750	710	770	730	700	680	680	660	640	620	600	580	560	560
4	890	780	710	650	870	770	700	650	750	690	640	730	670	630	710	660	620	610	610	590	570	550	530	510	490	490
5	820	710	640	580	810	700	630	580	680	620	570	660	610	570	650	600	560	540	540	520	500	480	460	440	440	440
6	770	650	570	520	750	640	570	520	630	560	510	610	550	510	600	540	500	480	480	460	440	420	400	380	370	370
7	720	600	520	470	700	590	520	470	580	510	460	560	500	460	550	500	460	440	440	420	400	380	360	340	340	340
8	670	550	480	420	660	550	470	420	530	470	420	520	460	420	480	420	380	370	370	350	330	310	290	270	270	270
9	630	510	440	390	620	510	440	390	500	430	390	490	430	390	460	400	360	340	340	320	300	280	260	240	240	240
10	600	480	400	360	580	470	400	360	460	400	350	450	390	350	440	390	350	340	340	320	300	280	260	240	240	240

8" APX810

## ZONAL LUMEN SUMMARY

ZONE	LUMENS	% OF LUMINAIRE
0-40	1752.8	64.66
0-60	2491.7	91.91
0-90	2708.6	99.91
90-180	2.4	0.09

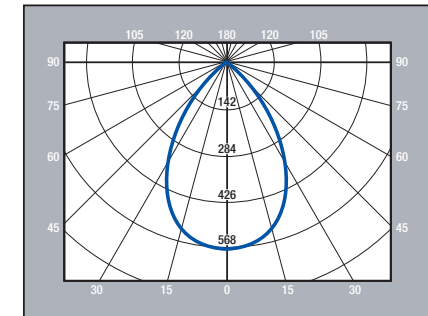
## FOOTCANDLE DIAGRAM



## COEFFICIENTS OF UTILIZATION

Room Cavity Ratio (RCR)	80				70				50				30				10				0					
	70	50	30	10	70	50	30	10	50	30	10	50	30	10	50	30	10	50	30	10	50	30	10	50	30	10
0	1190	1190	1190	1190	1160	1160	1160	1160	1110	1110	1110	1060	1060	1060	1020	1020	1020	1000	1000	1000	1000	1000	1000	1000	1000	1000
1	1110	1070	1040	1010	1090	1050	1020	990	1010	990	960	970	950	930	940	920	910	890	890	880	860	840	820	800	780	780
2	1030	970	910	870	1010	950	900	860	910	870	840	880	850	820	850	830	800	780	780	760	740	710	690	670	650	650
3	960	870	810	750	940	860	800	750	830	780	730	800	750	710	770	730	700	680	680	660	640	620	600	580	560	560
4	890	790	720	660	870	780	710	660	760	700	650	730	680	640	710	670	630	610	610	590	570	550	530	510	490	490
5	830	720	640	590	810	710	640	590	690	630	580	670	620	570	650	610	570	550	550	530	510	490	470	450	450	450
6	770	660	580	530	760	650	580	520	630	570	520	620	560	520	600	550	510	490	490	470	450	430	410	390	390	390
7	720	610	530	480	710	600	530	470	580	520	470	570	510	470	560	510	470	450	450	430	410	390	370	350	350	350
8	680	560	480	430	660	550	480	430	540	480	430	530	470	430	520	460	420	410	410	390	370	350	330	310	310	310
9	640	520	450	400	630	510	440	390	500	440	390	490	430	390	480	430	390	370	370	350	330	310	290	270	270	270
10	600	480	410	360	590	480	410	360	470	400	360	460	400	360	450	400	360	340	340	320	300	280	260	240	240	240

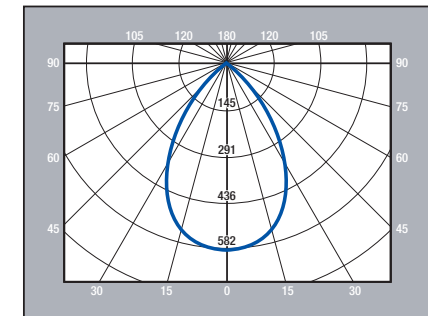
## DISTRIBUTION CURVE



## AVERAGE LUMINANCE (cd/m²)

Vertical Angle (Degrees)	Horizontal Angle (Degrees)		
	0	45	90
0	59732	59732	59732
45	33658	33603	33844
55	19954	19984	20029
65	12982	13000	12931
75	11115	10984	11055
85	8208	8331	7996

## DISTRIBUTION CURVE



## AVERAGE LUMINANCE (cd/m²)

Vertical Angle (Degrees)	Horizontal Angle (Degrees)		
	0	45	90
0	64127	64127	64127
45	34591	34874	34982
55	20569	20780	20814
65	11852	11900	11915
75	10010	10065	10010
85	7064	7274	7088

\*Visit [www.ndrelectric.com](http://www.ndrelectric.com) to see complete photometrics for all sizes.