



MPHB

MOUNTING PLATE with ADJUSTABLE HANGER BARS

Product codes

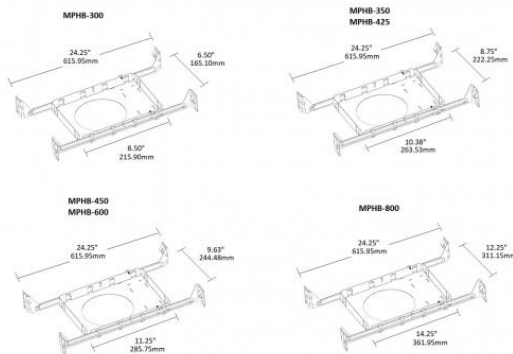
- MPHB-500 : 5.625" (142.875mm) Hole Diameter
- MPHB-300 : 3.25" (82.55mm) Hole Diameter
- MPHB-350 : 3.875" (98.425mm) Hole Diameter
- MPHB-425 : 4.25" (111.252mm) Hole Diameter
- MPHB-450 : 4.625" (117.475mm) Hole Diameter
- MPHB-600 : 6.50" (165.10mm) Hole Diameter
- MPHB-800 : 8.26" (210mm) Hole Diameter

Versatile mounting plate allows installation of all models of re-model, open trim housings, Razor series or Edge series.

Ideal for open ceilings with no insulation, soffits, new constructions or acoustic tiles

Adjustable mounting bars included, allows for installation between 13.00" (320mm) and 26.00"(660mm) openings

Please refer to our Mounting Plate Compatibility Chart found under the 'Product Knowledge' tab to ensure the proper mounting plate is selected



Données techniques

Length (MPHB-300)	8.50" (215.9 mm)
Width (MPHB-300)	6.50" (165.1 mm)
Length (MPHB-350/425)	10.38" (263.7 mm)
Width (MPHB-350/425)	8.75" (222.3 mm)
Length (MPHB-450/500/600)	25" (285.8 mm)
Width (MPHB-450/500/600)	9.625" (244.5 mm)
Length (MPHB-800)	14.25" (362.0 mm)
Width (MPHB-800)	12.25" (311.2 mm)