



RZR-CCT-LED-400

4.00" CCT ULTRA THIN LED RAZOR SERIES -10W

Product codes

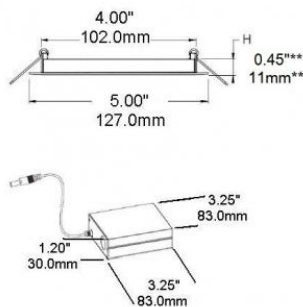
RZR-CCT-400-WH : WHITE (3K / 4K / 5K)

The CCT Razors feature offers the option of 3000K, 4000K or 5000K color rendering. These CCT units offer the color control switch on the light unit component. This feature allows the driver/junction box installation, without worry of choosing the CCT rendering. (Rough-in stage) Once all finishing work is completed, the installation of the light unit simply requires setting the CCT switch to the appropriate rendering desired prior to it being installed.

Each unit includes a junction box with driver, a light unit with a CCT selectable switch, pressure fit spring clips and Quick Connect wire connectors for fast and easy installation. (Remodel or New Construction applications) This collection is IC and airtight rated. Suitable for wet locations, such as showers or soffits. The maximum number of the 10W fixtures that can be installed with a standard 150W LED dimmer is 14 units. This product is ETL listed in USA & Canada, certified to UL standard 1598 and CSA standard C22.2 NO. 250.0-08. The wiring compartment accommodates up to (6) 14 gauge insulated conductors to satisfy luminare junction box volume requirements.

A complete listing of compatible dimmers may be found in our "Product Knowledge" section of our site. Although this product meets all industry certifications and ratings, some municipalities will require the use of a vapor barrier and/or mounting plate.

Verify local building codes prior to installation.



**Height including clip

**Hauteur avec pince

1.08"

27.1mm

Données techniques

Cutting hole	4.25" (108.0 mm)
Beam Angle	107° 1/2
Color Temperature	3K / 4K / 5K
CRI	>80
Dimmable	Y
LED Life	50,000hrs
Mounting Plate	MP/AMP/MPHB 425
Light Output - Lumen	680LM
Operating Temperature	-20°c + 40°c