

VBE-5

New Construction Vapour Barrier Extender Recessed Lighting

Job Information	
Project Name	
Type	
Location	
Quantity	
Date	

Description

The vapour barrier extender is for use with Liteline SlimLED fixtures, to prevent air leakage from your living space into the attic. Suitable for insulated ceilings. For use in new construction applications.

Features

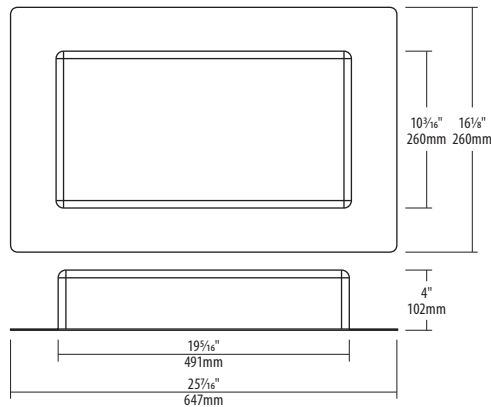
General Features

The body is constructed from a polyethylene membrane with flat flange all around to better enclose fixture from insulation. Rated 90°C max.

Required to be installed in order to comply with specific provincial regulations in terms of air leakage.



Technical Drawings



Ordering Guide



VBE-5

New construction vapour barrier extender for use with Liteline SlimLED and LUNA IC rated fixtures.

Notes: For additional options please consult your Liteline representative.
Due to our continued efforts to improve our products, product specifications are subject to change without notice.