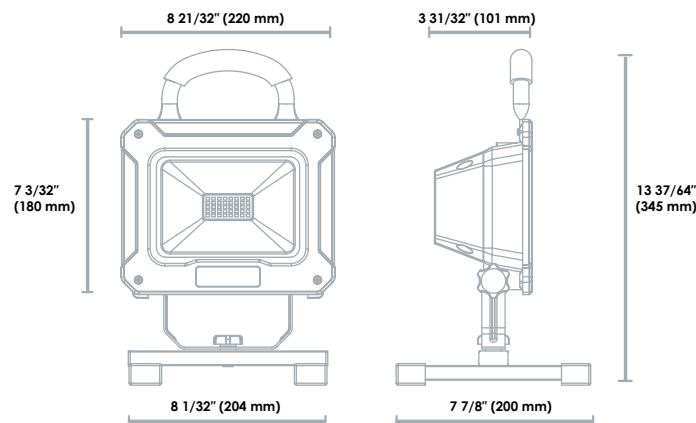


# AC Flood Light

STANDARD's AC Flood Lights of 30 W and 50 W are the perfect combination of durability and efficiency. Offering a high light output and designed for wet locations, with an IP rating of 65, these luminaires will suit the most robust construction sites. Magnetic feet are also available as accessories, allowing the AC Flood Lights to stick to any metallic surface. In addition, up-to three Flood Light can be installed on the tripod.



Order code	Description	Watts (W)	Volts (VAC)	Colour temp.	Wire	CRI	Light output (lm)	Beam angle (°)	Life L70 (h)	Case qty (master)
67336	PFL/AC/30W/CW/ND/YL/STD	30	120	Cool White	18 AWG	70	3 200	120	25 000	8
67337	PFL/AC/50W/CW/ND/YL/STD	50	120	Cool White	18 AWG	70	5 100	120	25 000	8



## Accessory

Order code	Description	Type	Compatible products	Qty per pack (units)	Case qty (master)
67338	PFL/AC/MAGNETICFEET/STD	Magnetic feet	AC Flood Lights - 30 W and 50 W	4	100

