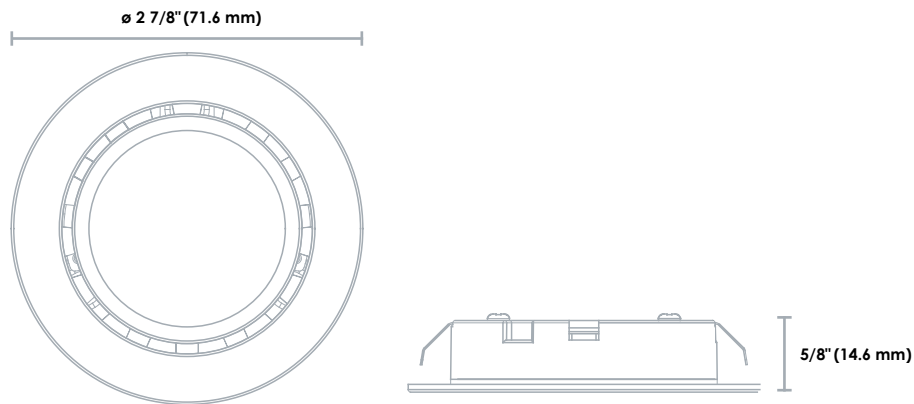


LED Puck Light Kit - Bare Wires



- Up to 10 LED Puck Lights can be installed in row
- An economic LED puck light solution
- The bare wires allow you to run the desired wire length between each puck
- Recessed installation only
- Smooth dimming

Order code	Description	Watts per puck (W)	Volts (VAC)	Colour temp. (K)	Lumen output per puck (lm)	CRI	Life L70 (hrs)	Beam angle (°)	Finish	Lens finish	Case qty (master)
67187	UCP/WIRES/12V/2W/30K/FR/WH/STD	2	12	3 000	120	90	50 000	120	White	Frosted	240



LED Driver (12 V)

Order code	Description	Output power (W)	Input voltage (VAC)	Output voltage (VDC)	Input current (mA)	Frequency (Hz)	Power factor	Finish	Case qty (master)
Plug-in - Non-Dimmable									
67184	LED/DRIVER/12W/12V/PLUG/ND/STD	12	100-240	12	1 000	50/60	0.50	White	80
62265	LED/TAPE/36W/12V/WW+CW/PS/ND/STD	36	100-240	12	1 500	50/60	0.80	White	100
Hardwired - Dimmable									
65740	LED/DRIVER/50W/12V/HW/D/STD	50	100-130	12	410	50/60	0.95	White	20
Hardwired - Non-Dimmable									
65743	LED/DRIVER/10W/12V/HW/ND/STD	10	100-240	12	220	50/60	0.50	White	100
65744	LED/DRIVER/20W/12V/HW/ND/STD	20	100-240	12	250	50/60	0.90	White	100
65745	LED/DRIVER/60W/12V/HW/ND/V5/STD	60	100-240	12	1 100	50/60	0.50	White	30
65746	LED/DRIVER/60W/12V/HW/ND/STD	60	90-264	12	1 400	47/63	0.93	White	10