

## QD14 THRU QD12 – Q-DECK HANGER

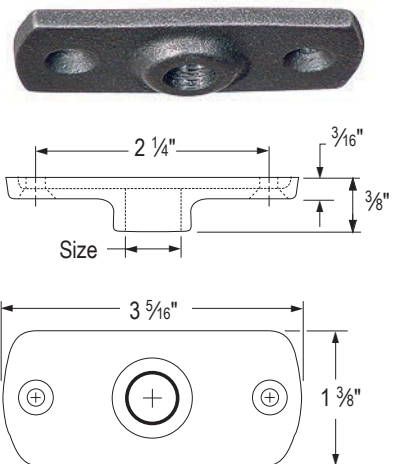
The fastest, most economical way to hang plumbing pipe, light fixtures, sheet metal duct, display fixtures, and more from a Q-Deck. The Q-Deck Hanger eliminates unsightly holes chiseled or punched in the side of the Q-Deck, weakening the deck. With the Q-Deck Hanger, you can keep damage to roof insulation to a minimum.



Part Number	Hole Size	Width	Number of Bottom Side Holes	Lab Pull-Test Top	Lab Pull-Test Bottom	Recommended Load Lbs 5-1 Safety	
						Top	Bottom
QD14	1/4"	3/4" Wide	2	1,570 lbs	1,130 lbs	314	226
QD38	3/8"	3/4" Wide	2	1,570 lbs	1,130 lbs	314	226
QD12	1/2"	1 1/2" Wide	4	-	-	-	-

Materials & Finishes: AL

## CF14 THRU CF12 – MALLEABLE CEILING FLANGES



Part Number	Size	Anchor Test (lbs)	Recommended Load 5-1 Safety
CF14	1/4"	2,500	500
CF38	3/8"	3,000	600
CF12	1/2"	3,000	600

Materials & Finishes: EG

## UPI14 THRU UPI12 – PRESET INSERT



Part No.	Size	Lab Pull-Test	Recommended Load 5-1 Safety
UPI14	1/4"	2,800	560 Lbs
UPI38	3/8"	4,300	860 Lbs
UPI12	1/2"	4,800	960 Lbs

Materials & Finishes: Plastic