
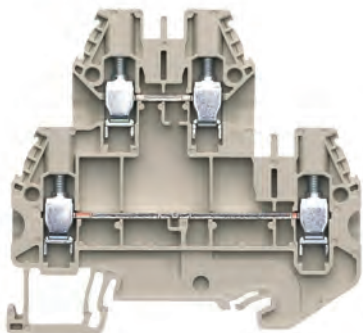




WT 4 E

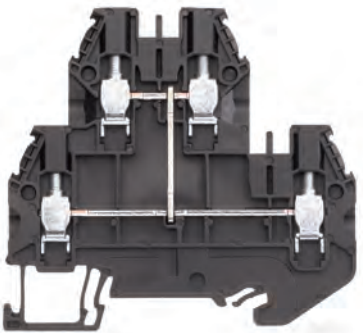
- Multi-tier block for mounting on TS 35
- Nominal cross section 4 mm²
-  II 2G 2D Ex eb IIC
EN 60079-0:12+A11:13 / IEC 60079-0:2011 Ed:6.0
EN 60079-7:07 / IEC 60079-7:2006-07 Ed:4
Follow the EX installation instructions on page 149
- Connection capacity: 2 wires, equal size
0.14 – 2.5 mm²




Description	Type	Part No.	Std. Pack
Multi-tier block, gray	WT 4 E	58.504.7055.0	100
Multi-tier block, blue	WT 4 E BL	58.504.7055.6	100
General data			
Width / length / height, incl. TS 7.5	6 mm / 72 mm / 67 mm		
Wire strip length	9 mm		
Approvals	 ATEX IECEx SEV 14.0004 U SEV 14 ATEX 0124 U		
Technical data	IEC	UL	CSA
	EN 60 947-7-1		
Cross section fine-stranded	0.14–6 mm ²		0.14–6 mm ²
Cross section solid/stranded	0.14–6 mm ²		0.14–6 mm ²
Cross section, AWG	26–10	26–10	
Rated current	32 A	30 A	30 A
Rated voltage	800 V	300 V	300 V
Rated impulse voltage	8 kV	550 V	
Pollution degree	3		
Accessories			
End plate	AP WT 4 E	07.313.3355.0	10
Partition	TW WT 4 E	07.313.2855.0	10
Cross connector	2 pole	IVB WKF 4-2	Z7.261.1227.0
	3 pole	IVB WKF 4-3	Z7.261.1327.0
	4 pole	IVB WKF 4-4	Z7.261.1427.0
	5 pole	IVB WKF 4-5	Z7.261.1527.0
	10 pole	IVB WKF 4-10	Z7.261.2027.0


WT 4 E VB

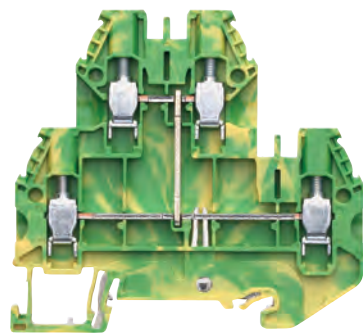
- Multi-tier block, vertically jumpered, with screw connection for mounting on TS 35
- Nominal cross section 4 mm²
-  II 2G 2D Ex eb IIC
EN 60079-0:12+A11:13 / IEC 60079-0:2011 Ed:6.0
EN 60079-7:07 / IEC 60079-7:2006-07 Ed:4
Follow the EX installation instructions on page 149
- Connection capacity: 2 wires, equal size
0.14 – 2.5 mm²




Description	Type	Part No.	Std. Pack
Multi-tier block, black	WT 4 E VB	58.504.6955.1	100
General data			
Width / length / height, incl. TS 7.5	6 mm / 72 mm / 67 mm		
Wire strip length	9 mm		
Approvals	 ATEX IECEx SEV 14.0004 U SEV 14 ATEX 0124 U		
Technical data	IEC	UL	CSA
	EN 60 947-7-1		
Cross section fine-stranded	0.14–6 mm ²		0.14–6 mm ²
Cross section solid/stranded	0.14–6 mm ²		0.14–6 mm ²
Cross section, AWG	26–10	26–10	
Rated current	32 A	30 A	30 A
Rated voltage	800 V	300 V	300 V
Rated impulse voltage	8 kV	550 V	
Pollution degree	3		
Accessories			
End plate	AP WT 4 E	07.313.3355.0	10
Partition	TW WT 4 E	07.313.2855.0	10
Cross connector	2 pole	IVB WKF 4-2	Z7.261.1227.0
	3 pole	IVB WKF 4-3	Z7.261.1327.0
	4 pole	IVB WKF 4-4	Z7.261.1427.0
	5 pole	IVB WKF 4-5	Z7.261.1527.0
	10 pole	IVB WKF 4-10	Z7.261.2027.0

WT 4 E PE

- Multi-tier ground block with screw connection for mounting on TS 35
- Nominal cross section 4 mm²
-  II 2G 2D Ex eb IIC
EN 60079-0:12+A11:13 / IEC 60079-0:2011 Ed:6.0
EN 60079-7:07 / IEC 60079-7:2006-07 Ed:4
Follow the EX installation instructions on page 149
- Connection capacity: 2 wires, equal size
0.14 – 2.5 mm²



Description	Type	Part No.	Std. Pack
Multi-tier ground block, green/yellow	WT 4 E PE	58.504.9255.0	100
General data			
Width / length / height, incl. TS 7.5	6 mm / 72 mm / 67 mm		
Wire strip length	9 mm		
Approvals	 ATEX IECEx SEV 14.0004 U SEV 14 ATEX 0124 U		
Technical data	IEC	UL	CSA
	EN 60 947-7-2		
Cross section fine-stranded	0.14–6 mm ²		0.14–6 mm ²
Cross section solid/stranded	0.14–6 mm ²		0.14–6 mm ²
Cross section, AWG	26–10		
Rated current			
Rated voltage	800 V	300 V	
Rated impulse voltage	8 kV		
Pollution degree	3		
Accessories			
End plate	AP WT 4 E	07.313.3355.0	10