



HLK-LED-1H-YELLOW

LED

The HLK-LED-1H portable work-lite replaces the traditional 300 watt unit. The head is adjustable for precise aiming. Body frame is made from extruded aluminum painted yellow. Handle is made of durable rubber. LED head has a clear polycarbonate lens with an aluminum housing painted black.

BODY AND FRAME Extruded aluminum with a yellow powder coat paint finish.

HANDLE Black rubber.

LEDs Nine LEDs emitting 1800 lumens out of the unit. LED colour temperature 5000k. total power consumption 27 watts.

CORD 6 foot cord with 3 prong plug.

VOLTAGE 120 volts AC 60 Hertz.

LUMENS 1800

OPERATING TEMPERATURE -40°C TO 50°C

RATING IP55

WARRANTY 5 year warranty.

cCSAus Approved

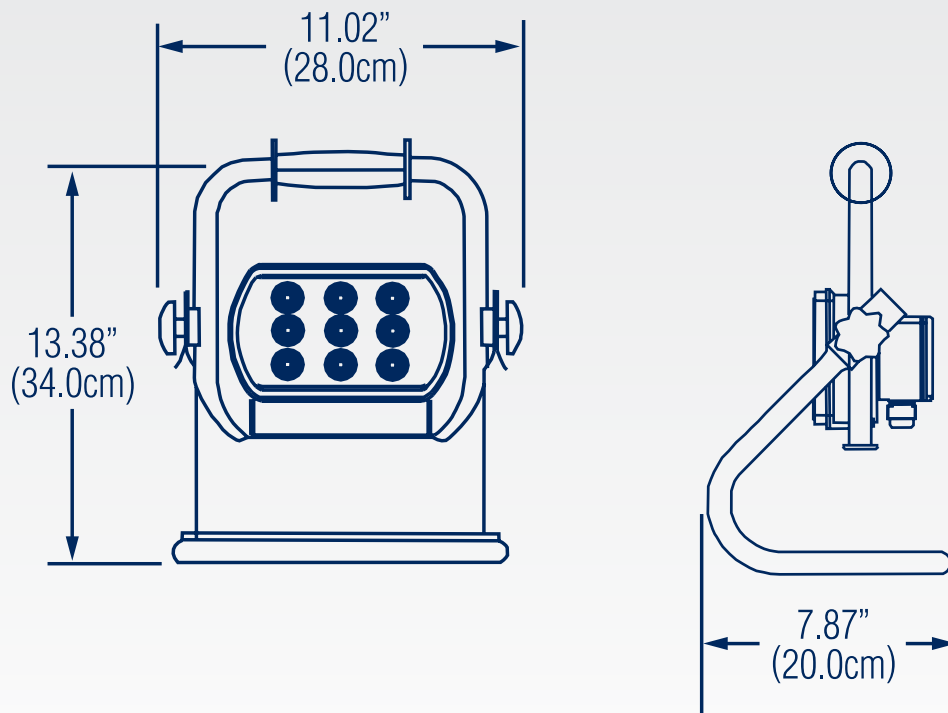


www.rabdesign.ca

Catalog Code

HLK-LED-1H-YELLOW

Dimensions



www.rabdesign.ca