



## 4" BOX WITH COVER 1/2VXJ 3/4VXJ 1VXJ

*The original VXJ box available with 1/2, 3/4 and 1 inch threaded conduit entries.*

*Comes complete with three plugs, ground mounting screw, cover and cover screws.*

*Ideal for use in commercial and industrial applications.*

**CAST BOX** Precision die-cast zinc, 4" diameter and 1-9/16" deep. Each unit has two opposing mounting feet. Each unit has four conduit entries on the side 90° apart and one on the bottom.

**INTERNAL MOUNTING POSTS** 4 posts for mounting covers, 90° apart on a 3-1/2" bolt circle, 10-24 tapped. 2 posts 180° apart, 10-24 tapped for universal cross bars. One post for ground wire screw 10-24 tapped.

**COVER** Stamped aluminum installed with two 10-24 zinc plated screws.

**CONDUIT ENTRIES** 5 conduit entries, four on the side, threaded, available as 1/2, 3/4 and 1". Bottom conduit entry is 1/2" for the 1/2VXJ and 3/4" for both the 3/4VXJ AND 1VXJ.

**HARDWARE** Each unit comes complete with three plugs made of cast aluminum, threaded to match side conduit entries and one ground screw packaged inside each box.

**GASKET** 1/8" thick cork

**FINISH** Standard unit is raw zinc. Powder coat painted units are available upon request in the following finishes, black white, bronze and charcoal.

### NATURAL FINISH



### PAINTED FINISH



APPROVAL CSA



[www.rabdesign.ca](http://www.rabdesign.ca)

## Catalog Code

VXJ BOX

1/2VXJ  
3/4VXJ  
1VXJ

CONDUIT ENTRY

BLK- BLACK  
WH - WHITE  
BRZ - BRONZE  
CHA - CHARCOAL

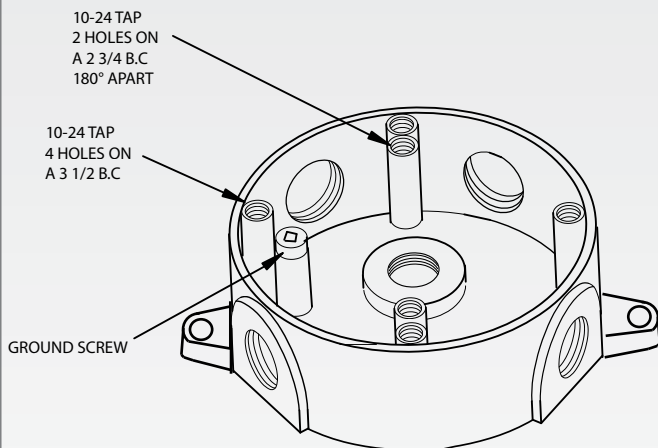
PAINTED FINISH\*

**PLEASE NOTE : STANDARD UNIT HAS A NATURAL ZINC FINISH**

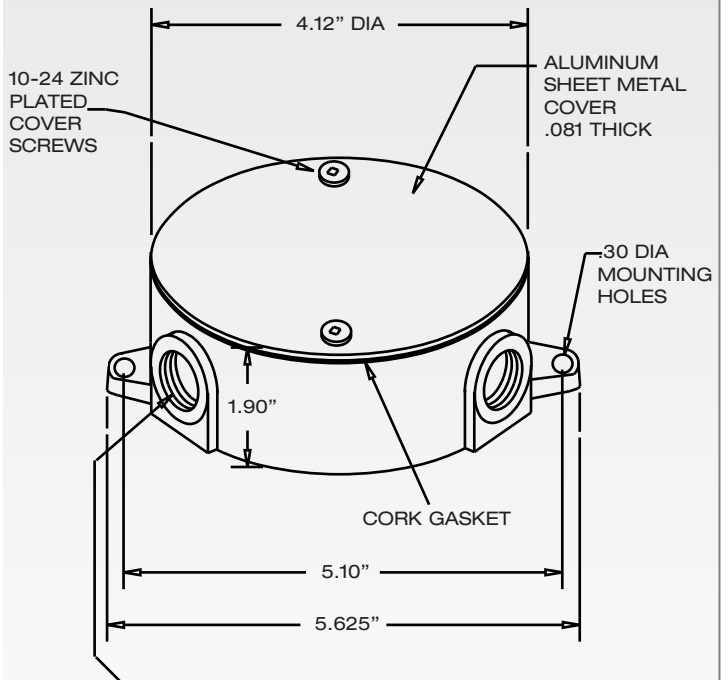
RAB  
DESIGN



## Interior View



## Dimensions



AVAILABLE WITH (4) 1/2", 3/4" OR 1" SPACED 90° APART PLUS (1) 1/2" NPT ON THE 1/2VXJ AND 3/4" OPENING FOR THE 3/4VXJ AND THE 1VXJ CENTERED ON THE BACK OF THE BOX

[www.rabdesign.ca](http://www.rabdesign.ca)