



16" ALUMINUM HIGHBAY

The 16" Highbay is ideal for large areas with high-mounting heights that require high efficiencies and horizontal illumination. Ideal for manufacturing areas, warehouses and large retail spaces.

BALLAST HOUSING Two-piece, heavy die cast aluminum with heat fins and an integral splice box mounting flange. Ballast housing is painted white with a powder coat paint finish.

REFLECTOR Anodized, spun aluminum reflector. Ventilated design carries contaminants out of the top of the reflector. Optical system is adjustable and accommodates the full range of light distributions.

BALLAST All ballasts are Tri-Tap 120,277,347 volts. For 208 and 240 CWI options please consult factory. Available wattages are 250HPS and 400HPS and 250MH and 400MH. Pulse start also available in 250MHP, 320MHP, 350MHP, 400MHP and 450MHP. Ballasts are factory wired to customers choice of voltage.

LAMP All units come complete with lamp.



SOCKET Mogul base 4KV pulse-rated socket with a nickle-plated screw shell and a spring-loaded centre contact. Also available is an open rated socket for 250MH, 250MHP, 320MHP, 400MHP, and 450MHP lamps.

OPTIONS Quartz re-strike, wire guard, glass bottom lens, upper dust cover and single and double fusing and prismatic drop lens. Standard unit comes with 4 feet of cab tire. For other lengths please consult factory.



www.rabdesign.ca

Catalog Code

HB-16



LAMP

250HPS 400HPS 250MH*
400MH 250MHP* 320MHP*
400MHP* 450MHP*



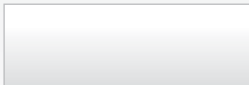
VOLTAGE

120, 277, 347
208CWI**, 240CWI**



LENS

GL116 - GLASS LENS
DL - DROP LENS

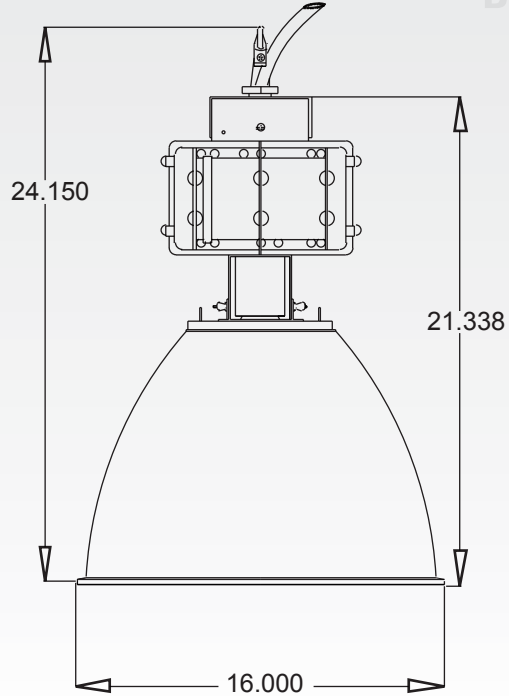


OPTIONS

AS - QUARTZ RE-STRIKE
(LAMP INCLUDED)
SF - SINGLE FUSE
DF - DOUBLE FUSE
WG - WIRE GUARD
DC - DUST COVER

* MUST USE EITHER A OPEN RATED LAMP OR A LENS
** NOT AVAILABLE ON ALL WATTAGES

Dimensions



TEST NO. 8547
RAB/DESIGN INDOOR HIGH BAY FIXTURE CAT. NO. SP-HB16-400MH-347V
WITH DIFFUSE ALUMINUM ANODIZED REFLECTOR (POSITION 1)
ONE 400W COATED METAL HALIDE PULSE-START LAMP. LUMEN RATING = 36000 LMS.

SUMMARY DATA

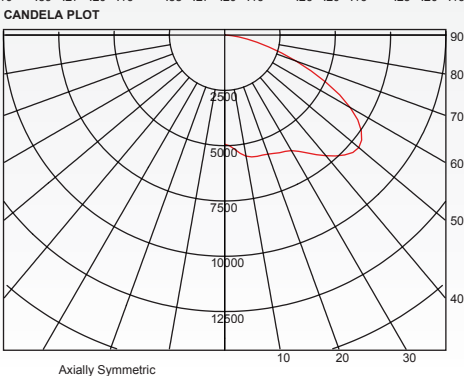
EFFICIENCY (Total):	81.0 %
EFFICIENCY (Downlight):	81.0 %
EFFICIENCY (Uplight):	0.0 %
CIE CLASSIFICATION:	DIRECT
SPACING CRITERION (0-Deg.):	2.14
LUMENS/LAMP:	36000
NO. OF LAMPS:	1
LUMINOUS OPENING: CIRCULAR	
Diameter:	1.33 (Feet)
INPUT WATTS:	440
RP-1-93 VDT CONFORMANCE:	NON-CONFORMING

ZONAL LUMEN SUMMARY

Zone	Lumens	% Lamp	% Luminaire	AVERAGE LUMINANCE (Candelas / Square Meter)
0 - 30	4834.9	13.4	16.6	Angle 0 0 38189
0 - 40	8953.8	24.9	30.7	78 75 72 75 72 70 72 70 68 66
0 - 60	21511.7	59.8	73.8	45 84007
60 - 90	7642.5	21.2	26.2	55 101809
0 - 90	29154.2	81.0	100.0	65 92397
90 - 180	0.0	0.0	0.0	75 61756
0 - 180	29154.2	81.0	100.0	85 29513

COEFFICIENT OF UTILIZATION TABLE
Effective Floor cavity Reflectance = 20%

Pcc ...	80	70	50	30	10	0
Pw ...	70 50 30 10	70 50 30 10	50 30 10	50 30 10	50 30 10	0
RCR	0 .96 .96 .96 .96	.94 .94 .94 .94	.90 .90 .90 .86 .86 .86	.83 .83 .83 .81		
1	.87 .83 .79 .76	.85 .81 .78 .75	.78 .75 .72 .75 .72 .70	.72 .70 .68 .66		
2	.78 .71 .65 .60	.76 .69 .64 .59	.66 .62 .58 .64 .60 .56	.61 .58 .55 .53		
3	.70 .61 .54 .48	.68 .60 .53 .47	.57 .51 .46 .55 .50 .46	.53 .48 .45 .43		
4	.64 .53 .45 .39	.62 .52 .44 .39	.50 .43 .38 .48 .42 .38	.46 .41 .37 .35		
5	.58 .46 .38 .32	.56 .45 .38 .32	.44 .37 .32 .42 .36 .31	.40 .35 .31 .29		
6	.53 .41 .33 .27	.51 .40 .33 .27	.39 .32 .27 .37 .31 .27	.36 .30 .26 .25		
7	.48 .37 .29 .23	.47 .36 .28 .23	.35 .28 .23 .33 .27 .23	.32 .27 .23 .21		
8	.45 .33 .25 .20	.43 .32 .25 .20	.31 .25 .20 .30 .24 .20	.29 .24 .20 .18		
9	.42 .30 .23 .18	.40 .29 .22 .18	.28 .22 .18 .27 .22 .17	.27 .21 .17 .16		
10	.39 .27 .20 .16	.38 .27 .20 .16	.26 .20 .16 .25 .20 .16	.24 .19 .15 .14		



TEST NO. 8544
RAB/DESIGN INDOOR HIGH BAY FIXTURE CAT. NO. SP-HB16-400MH-347V
WITH DIFFUSE ALUMINUM ANODIZED REFLECTOR (POSITION 7)
ONE 400W COATED METAL HALIDE PULSE-START LAMP. LUMEN RATING = 36000 LMS.

SUMMARY DATA

EFFICIENCY (Total):	80.9 %
EFFICIENCY (Downlight):	80.9 %
EFFICIENCY (Uplight):	0.0 %
CIE CLASSIFICATION:	DIRECT
SPACING CRITERION (0-Deg.):	1.32
LUMENS/LAMP:	36000
NO. OF LAMPS:	1
LUMINOUS OPENING: CIRCULAR	
Diameter:	1.33 (Feet)
INPUT WATTS:	440
RP-1-93 VDT CONFORMANCE:	NON-CONFORMING

ZONAL LUMEN SUMMARY

Zone	Lumens	% Lamp	% Luminaire	AVERAGE LUMINANCE (Candelas / Square Meter)
0 - 30	9880.8	27.4	33.9	Angle 0 0 92935
0 - 40	16254.9	45.2	55.8	.81 .79 .78 .78 .77 .75
0 - 60	26612.0	73.9	91.3	.73 .69 .66 .70 .67 .65
60 - 90	2529.9	7.0	8.7	.45 89891
0 - 90	29142.0	80.9	100.0	.55 61420
90 - 180	0.0	0.0	0.0	.65 33952
0 - 180	29142.0	80.9	100.0	.75 15087
				.85 1956

COEFFICIENT OF UTILIZATION TABLE
Effective Floor cavity Reflectance = 20%

Pcc ...	80	70	50	30	10	0
Pw ...	70 50 30 10	70 50 30 10	50 30 10	50 30 10	50 30 10	0
RCR	0 .96 .96 .96 .96	.94 .94 .94 .94	.90 .90 .90 .86 .86 .86	.83 .83 .83 .81		
1	.90 .87 .84 .81	.88 .85 .82 .80	.81 .79 .78 .78 .77 .75	.76 .74 .73 .71		
2	.83 .77 .73 .69	.81 .76 .72 .68	.73 .69 .66 .70 .67 .65	.68 .66 .63 .62		
3	.76 .69 .63 .59	.75 .68 .62 .58	.65 .61 .57 .63 .59 .56	.61 .58 .55 .54		
4	.71 .62 .56 .51	.69 .61 .55 .50	.59 .54 .50 .57 .53 .49	.55 .52 .48 .47		
5	.65 .56 .49 .44	.64 .55 .49 .44	.53 .48 .44 .52 .47 .43	.50 .48 .43 .41		
6	.60 .51 .44 .39	.59 .50 .44 .39	.48 .43 .39 .47 .42 .38	.46 .41 .38 .36		
7	.56 .46 .39 .35	.55 .45 .39 .35	.44 .39 .34 .43 .38 .34	.42 .37 .34 .33		
8	.52 .42 .36 .31	.51 .42 .35 .31	.41 .35 .31 .40 .35 .31	.39 .34 .31 .29		
9	.49 .39 .32 .28	.48 .38 .32 .28	.37 .32 .28 .37 .32 .28	.36 .31 .28 .26		
10	.46 .36 .30 .26	.45 .35 .30 .26	.35 .29 .25 .34 .29 .25	.33 .29 .25 .24		

