

RAB

DESIGN

MINIFLOOD

The Miniflood is a rugged cast aluminum flood light with 1/2" NPT knuckle mount with lockable, serrated pivot and rotation joint. Great for security lighting, storage areas and sign lighting.

HOUSING Precision die cast aluminum with 1/2" NPT locking swivel arm. Housing and arm have a powder coat paint finish.

REFLECTOR Anodized aluminum.

LENS FRAME Precision die cast aluminum with a continuous silicone gasket. Bottom hinged for ease of lamp replacement. Lens frame is held in place with three stainless steel screws.

LENS Clear tempered glass with a silicone gasket.

BALLAST High Pressure sodium ballasts are available as 120 volts Normal Power Factor, High Power Factor and Tri-Tap 120/277/347 volts, in the following wattages 50, 70, 100 and 150. All Metal Halide ballasts are Tri-Tap 120/277/347 in the following wattages 50, 70, 100, 150 and 175.

LAMP All units come complete with lamp.



SOCKET Medium base 4KV pulse-rated socket with a nickle-plated screw shell and a spring-loaded centre contact.

MOUNTING 1/2" heavy duty swivel arm.

FINISH Powder coat paint finish. Standard colour is bronze.

OPTIONS Photocell



www.rabdesign.ca

Catalog Code

MF

50HPS 70HPS 100HPS 150HPS
50MH 70MH 100MH 150MH
175MH

LAMP

120NPF* 120HPF*
120 277 347

VOLTAGE

BRZ

BRZ - BRONZE

FINISH

PC - PHOTOCELL

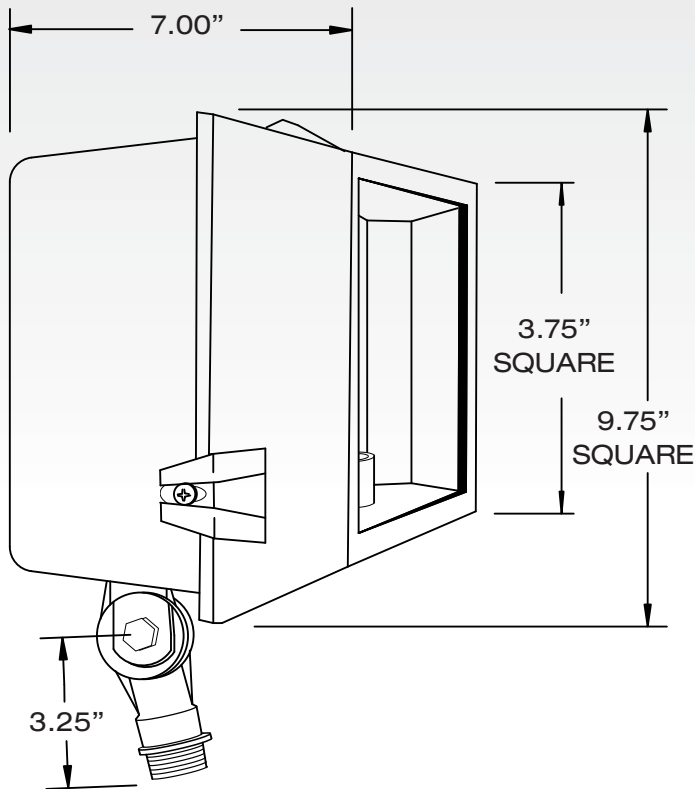
OPTIONS

RAB
DESIGN



* ONLY AVAILABLE IN HIGH PRESSURE SODIUM

Dimensions



www.rabdesign.ca