



VAN1I - ROUGH SERVICE FIXTURE

The Van1I is a general illumination fixture for rough service (vandal-resistant) applications. Great for areas that require adequate light capabilities for safety and security. Ideal for use in entry ways, corridors and wall mounted applications.

HOUSING Heavy duty cold rolled steel with a white powder coat paint finish. Insulated with 1" thick fiberglass.

GASKET Closed cell neoprene gasket seals out moisture and contaminants.

LENS Clear UV stabilized prismatic polycarbonate lens. The lens is held in place with stainless steel screws.

SOCKET ASSEMBLY Medium base porcelain socket.

INSTALLATION Can be ceiling or wall mounted. Backplate mounts securely to junction box with crossbar (included)

WATTAGE 60 watt incandescent maximum

LAMP Not included

FINISH White

HARDWARE Stainless steel screws

LISTED CULus Listed.

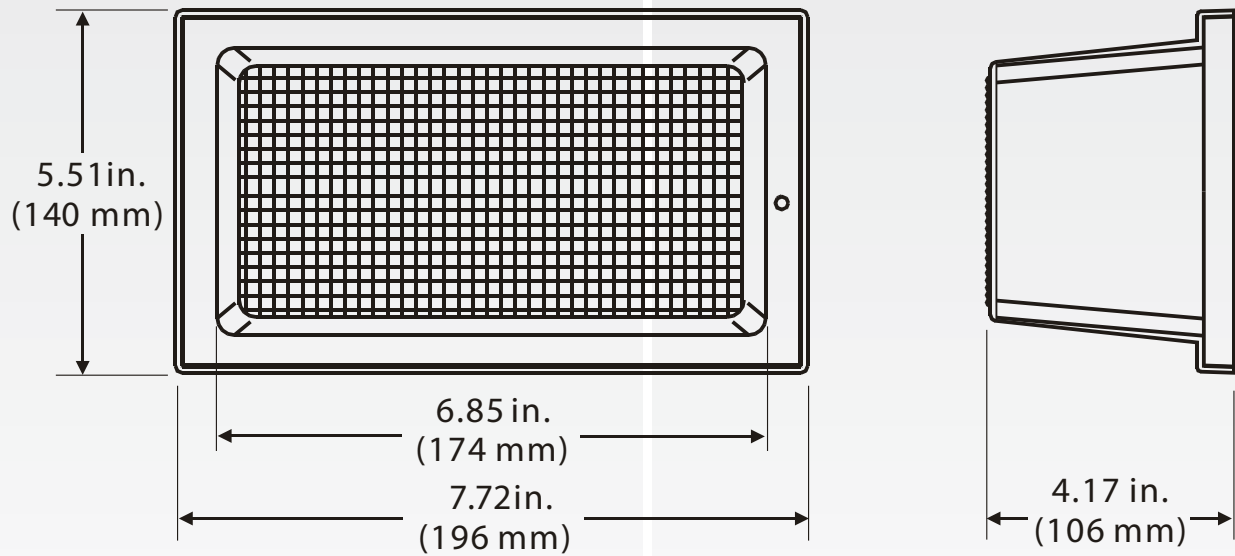


Catalog Code

VAN11

RAB
DESIGN

Dimensions



www.rabdesign.ca