



## WPCM CUTOFF WALL PACK

*Ideal for mounting above entry ways, loading docks and building perimeters where light trespass is a concern.*

**HOUSING** Die-cast aluminum with 1/2" NPS tapped holes located on the top and both sides of the fixture and mounting option on the back. Side hinged lens frame for ease of relamping.

**REFLECTOR** Specular anodized aluminum, removable for installation. Symmetrical light pattern maximizes distance between fixtures.

**LENS** The lens is a clear tempered glass, sealed with a continuous silicone rubber gasket.

**BALLAST** For High Pressure Sodium, ballasts are available as 120 volts normal and high power factor and Tri-Tap 120-277-347 for the following wattages, 50, 70, 100 and 150. For Metal Halide all ballasts are Tri-Tap 120-277-347 for 50, 70, 100, 150 and 175 watts. For compact fluorescent lamps all ballasts are electronic 120-277-347 volts for the 42 watt lamp.

**LAMP** All units come complete with lamp.

**FINISH** All units have a powder coat paint finish. Standard colours are Bronze and White. For custom colours please consult factory.



**SOCKET** Medium or Mogul base 4KV pulse-rated socket with a nickel-plated screw shell and a spring-loaded centre contact.

**OPTIONS** Photocell, Wire Guard, Single and double fusing.

## Catalog Code

WPCM

50HPS 70HPS 100HPS  
150HPS 50MH 70MH 100MH  
150MH 175MH 42CFL

LAMP

120NPF 120HPF 120 277 347

VOLTAGE

BRZ - BRONZE  
WH - WHITE  
CC - CUSTOM COLOUR

FINISH

PC - PHOTOCELL

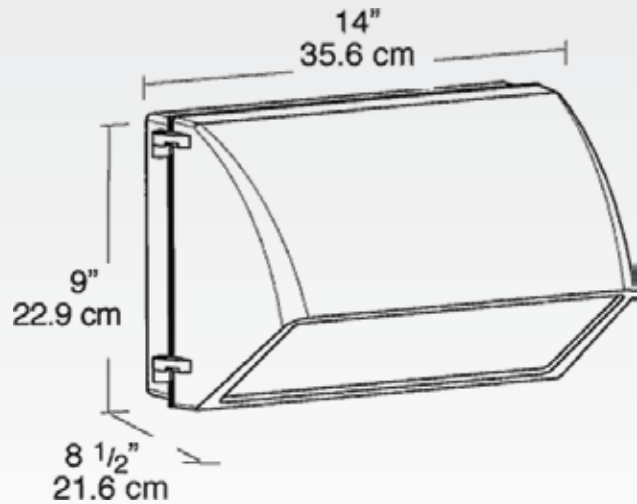
WG - WIRE GUARD

SF - SINGLE FUSE  
DF - DOUBLE FUSE

OPTIONS

## Dimensions

RAB  
DESIGN



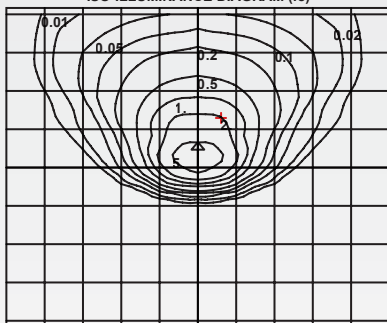
### CATALOG NUMBER: WPCM150HPS

[LUMCAT]WPCM150HPS  
[LUMINAIRE]WITH SEMI-SPECULAR REFLECTOR AND CLEAR FLAT GLASS LENS  
[LAMP]ONE PHILIPS 150 WATT HPS LAMP  
[LAMP]CAT]LU150/U/M. LUMEN RATING: 16000 Lms.  
[OTHER]OPERATING AT 150 WATTS

#### SUMMARY DATA

EFFICIENCY (Total): 59.5 %  
EFFICIENCY (Down / Up): 59.3 % / 0.3 %  
EFFICIENCY (Street / House): 52.7 % / 6.8 %  
LUMENS/LAMP: 13500  
NO. OF LAMPS: 1

#### ISO-ILLUMINANCE DIAGRAM (fc)

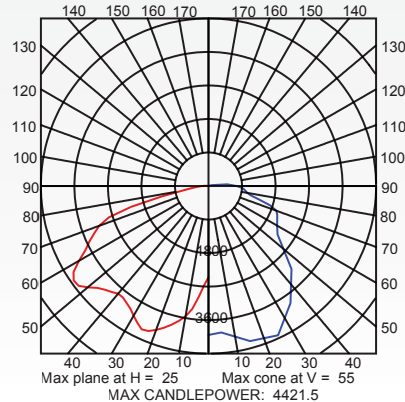


Mounting Height	Multiplier
10	4.000
15	1.778
20	1.000
25	0.640
30	0.444
35	0.327
40	0.250
45	0.198
50	0.160

+ = Point of max candela

Mounting Height = 20 Feet. Each box represents one mounting height.

#### PLANE & CONE DIAGRAM



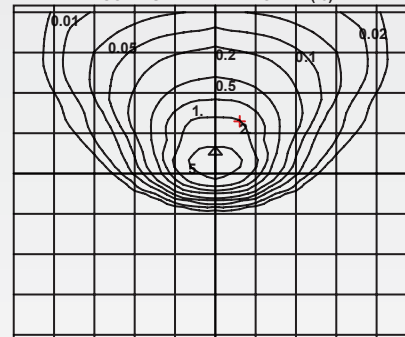
### CATALOG NUMBER: WPCM175MH

[LUMCAT]WPCM175MH  
[LUMINAIRE]WITH SEMI-SPECULAR REFLECTOR AND CLEAR FLAT GLASS LENS  
[LAMP]ONE PHILIPS 175 WATT MH LAMP  
[LAMP]CAT]MH175/U/M. LUMEN RATING: 13500 Lms.  
[OTHER]OPERATING AT 175 WATTS

#### SUMMARY DATA

EFFICIENCY (Total): 59.5 %  
EFFICIENCY (Down / Up): 59.3 % / 0.3 %  
EFFICIENCY (Street / House): 52.7 % / 6.8 %  
LUMENS/LAMP: 13500  
NO. OF LAMPS: 1

#### ISO-ILLUMINANCE DIAGRAM (fc)

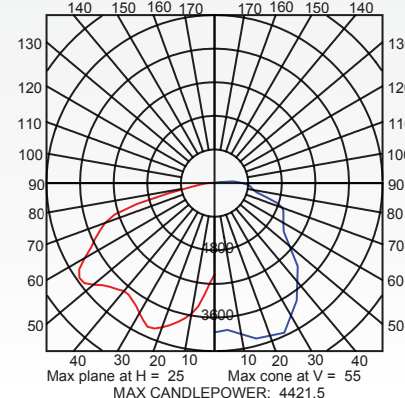


Mounting Height	Multiplier
10	4.000
15	1.778
20	1.000
25	0.640
30	0.444
35	0.327
40	0.250
45	0.198
50	0.160

+ = Point of max candela

Mounting Height = 20 Feet. Each box represents one mounting height.

#### PLANE & CONE DIAGRAM



[www.rabdesign.ca](http://www.rabdesign.ca)