



## WALL LITE

*The Wall Lite is ideal for security lighting above entryways, stairwells and pedestrian areas. The clear prismatic lens offers glare free light. Available in High Pressure Sodium and Compact Fluorescent.*

**MOUNTING PLATE** Die cast aluminum with provision for mounting the fixture to a standard octagon box or surface mount and using 1/2" knock out for providing power.

**HOUSING** Made of durable polycarbonate available in Bronze or White.

**LENS** Made of durable polycarbonate with prismatic pattern that offers glare free light.

**BALLAST** All High Pressure Sodium ballasts are 120V normal power factor. Compact fluorescent ballasts are 120 - 277 or 347 volts electronic rated to -30°C.

**SOCKET** Medium base 4KV pulse-rated socket with a nickel-plated screw shell and a spring-loaded centre contact for High Pressure Sodium models. White thermo plastic with integral clips for lamp retention for Compact Fluorescent models.



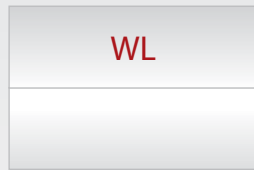
**LAMP** All units come complete with lamp.

**WATTAGES** 35, 50 and 70 High Pressure Sodium and 42 watt Compact Fluorescent.

**FINISHES** Available in Bronze or White.

**OPTIONS** Photocell, wire cage

## Catalog Code



LAMP

35HPS 50HPS 70HPS  
26CFL, 32CFL 42CFL



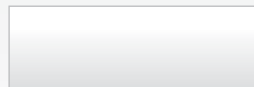
VOLTAGE

120NPF, 120E\*, 347E\*



FINISH

B - BRONZE  
W - WHITE



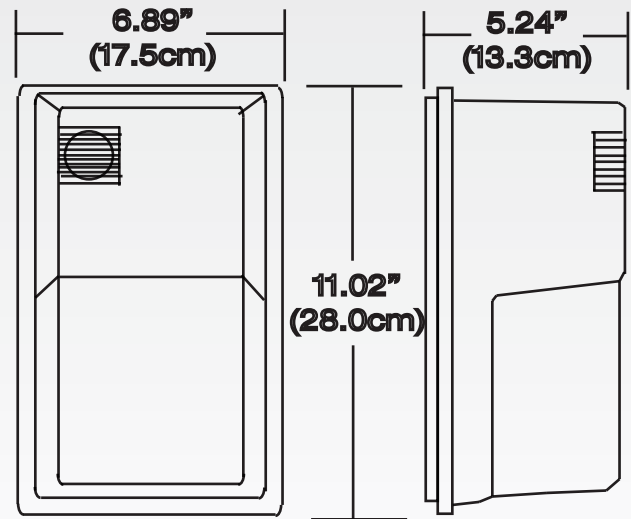
OPTIONS

PC - PHOTOCELL  
WC\*\* - WIRE CAGE

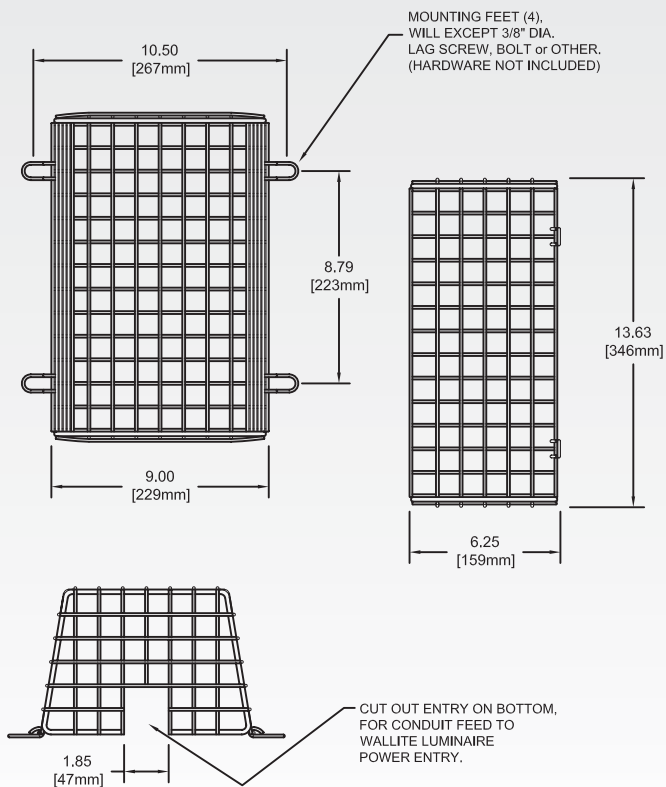
\* Available for CFL lamps only.  
\*\*Ordered and shipped separately.

## Dimensions

**RAB**  
DESIGN



## WIRE CAGE DETAIL



1210