



## HR - PAR38 FULL CUP HOLDER

*The HR is a rugged deluxe full cup PAR38 incandescent flood holder, rated up to 150 watts. The HR is made from die cast aluminum. Ideal for use on sides of buildings to provide perimeter lighting. Can also be used with Rab Design outdoor Sensors.*

**HOUSING** Die cast aluminum with a powder coat paint finish.

**SOCKET** Medium base porcelain socket.

**SWIVEL** Fully adjustable with serrated teeth for locking in place. 1/2" NPS threaded arm with locking nut. Mounts to standard covers.

**GASKET** Silicone gasket.

**LAMP** Not included.

**FINISH** All units have a powder coat paint finish. Standard colours are Silver/Grey, Black, Architectural Bronze and White. Custom colours are available, Please consult factory.

**ACCESSORIES** The following accessories are ordered separately. DC100 and DC103 covers, HR KIT glass lens and any outdoor sensor from Rab Design.

**APPROVAL** cULus



## Catalog Code



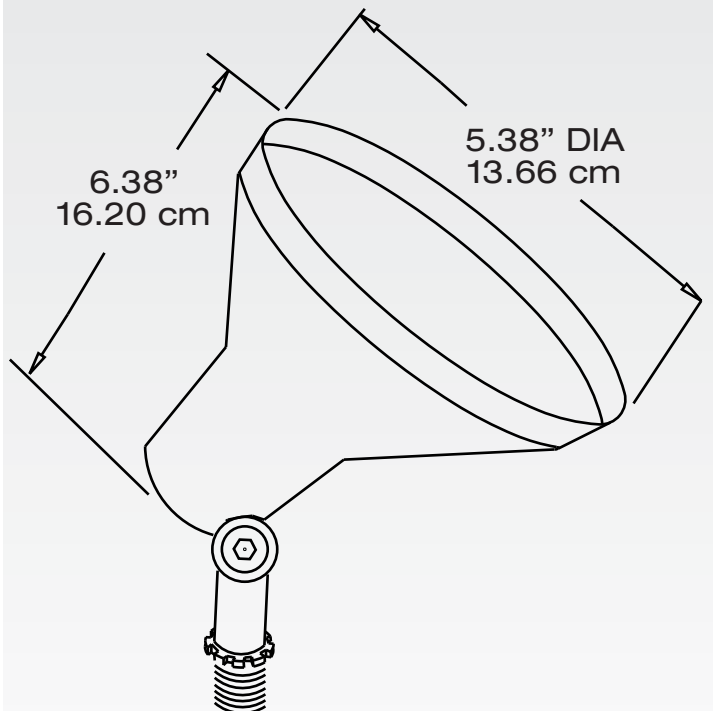
HR - SILVER GREY  
HRB - BLACK  
HRR - ARCHITECTURAL  
BRONZE  
HRW - WHITE

LAMPS NOT INCLUDED

RAB  
DESIGN



## Dimensions



[www.rabdesign.ca](http://www.rabdesign.ca)