



AWL-LED14W

The AWL-LED14W is a multi-purpose fixture that can be used to replace wall packs and floods up to 150 watt metal halide. The head can be aimed straight down for dark sky requirements or aimed out to deliver the light where it's required. The AWL-LED14W comes complete with a photocell, available in 120-277 volts and 347 volts. Standard finish is bronze. Ideal for use on building perimeters, loading docks, schools, townhouse complexes and apartment buildings.

HOUSING Die cast aluminum with a powder coat paint finish. Unit has four conduit entries. Mounts to standard junction box.

DRIVER 120-277, 347 volts total power consumed 14 watts.

LEDs One led array with six LEDs, 1272 lumen's out of the fixture, 4800k., CRI > 70. LEDs operating temperature is -40° C to 40°C.

LENS Clear tempered glass with a gasket.

HARDWARE Tamper proof stainless steel.

FINISH Standard finish is Bronze. Please consult factory for custom colour.

PHOTOCELL Included



MOUNTING OPTIONS Wall mount, ceiling mount and ground mounted on a concrete pad or stake.

OPERATING TEMPERATURE
-40° C to 40° C.

RATED IP65

WARRANTY 5 YEARS

MEETS LM-79, LM-80

APPROVALS cULus,

Catalog Code

AWL-LED14W

120-277, 347

VOLTAGE

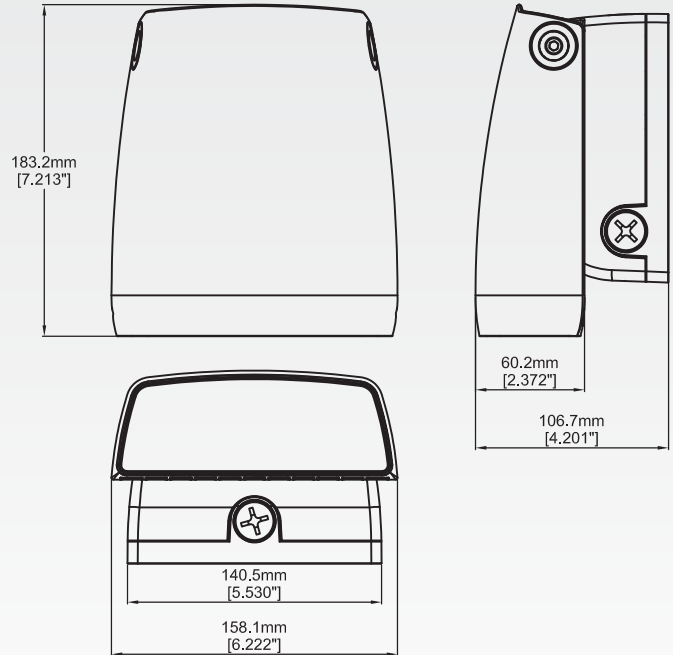
BRZ - BRONZE
CC - CUSTOM COLOUR

FINISH

PC

PC - PHOTOCELL

Dimensional Data



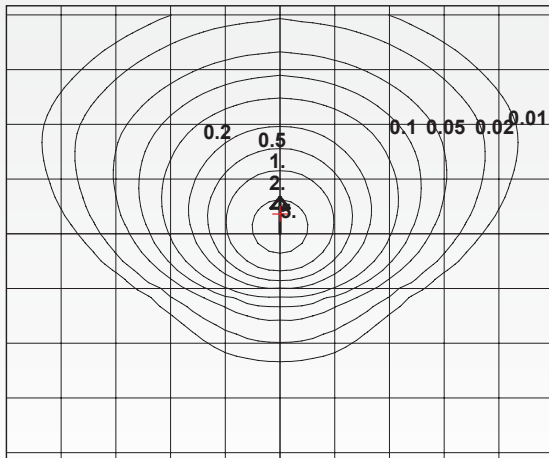
Photometric Data

IESNA:LM-63-2002
[TEST] LSCG666
[TESTLAB] Lighting Sciences Canada Ltd.
[MORE] 160 Frobisher Drive, Unit 5
[MORE] Waterloo, Ontario
[ISSUE DATE] 06-03-2013
[MANUFAC] RAB DESIGN LIGHTING
[MORE] TORONTO, ONTARIO
[LUMCAT] AWL-LED14-120-PC-BRZ
[LUMINAIRE] RAB DESIGN WALL MOUNTED LED LUMINAIRE
[MORE] WITH SEMI-SPECULAR REFLECTOR AND CLEAR LENS
[LAMP] ONE WHITE ARRAY LED. LUMEN OUTPUT = 1272 LMS.

SUMMARY DATA

EFFICIENCY (Total):	- 126833.1 %
EFFICIENCY (Down / Up):	- 126833.1 % / 0.0 %
EFFICIENCY (Street / House):	- 87462.5 % / - 39365.3 %
LUMENS/LAMP:	- 1
NO. OF LAMPS:	1
LUMINOUS OPENING:	RECTANGULAR
Width:	0.00 (Feet)
Length:	0.00
Height:	0.00
INPUT WATTS:	14.05

ISO-ILLUMINANCE DIAGRAM (fc)

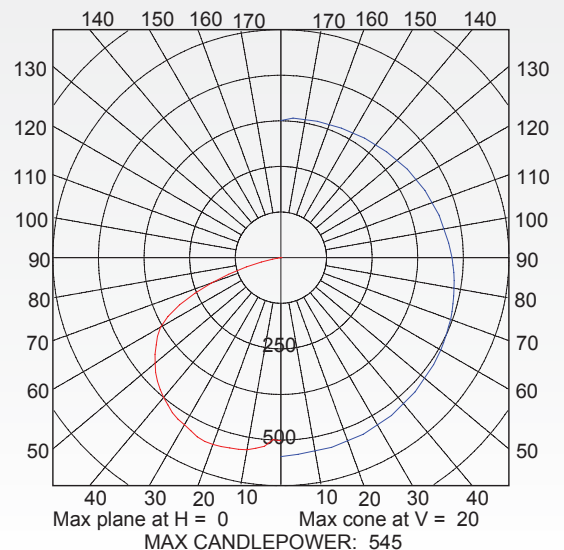


Mounting Height = 8 Feet. Each box represents one mounting height.

Mounting Height	Multiplier
10	0.640
15	0.284
20	0.160
25	0.102
30	0.071
35	0.052
40	0.040
45	0.032
50	0.026

+ = Point of max candela

PLANE & CONE DIAGRAM



Max plane at H = 0 Max cone at V = 20
MAX CANDLEPOWER: 545

www.rabdesign.ca