



MS-LED-2H-180

LED

The MS-LED-2H-180 has a 180 degree sensor and comes with 2 LED floods and mounting plate. Each LED flood is equivalent to a PAR-90W for a total of 1800 lumens out of the fixture. Whenever the motion sensor detects motion the floodlights automatically turn on. The sensor is adjustable and can turn lights on from 5 seconds to 12 minutes when motion is detected. Unit can be wired in parallel. Tested at -40°C start temperature. Available in black or white.

PHOTO ELECTRIC CONTROL

Deactivates lights during daylight. Fully adjustable for 24 hour operation or custom applications.

POWER CONSUMPTION 24 watts..

TIME ADJUSTMENTS 5 seconds to 7 minutes.

LED FLOOD Extruded aluminum with clear lens.

MOUNTING PLATE Cast aluminum.

DETECTION 180 degrees.

VOLTAGE 120 volts AC 60 Hertz.



MOUNTING Fits over a standard octagon box.

LUMENS 1500

OPERATING TEMPERATURE -40°C TO 50°C

RATING IP55

WARRANTY 5 year warranty.

cCSAus Approved

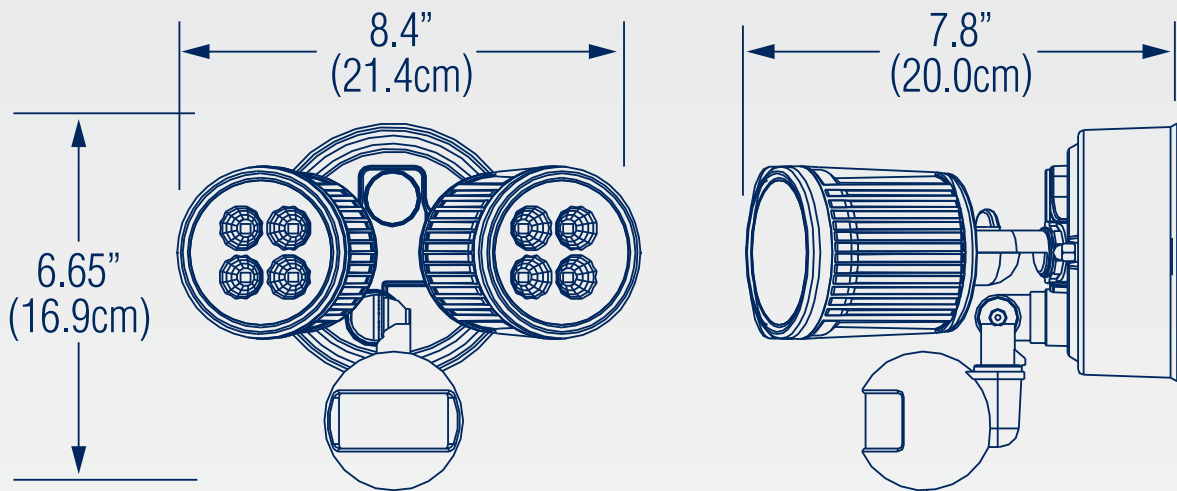
Catalog Code

MS-LED-2H-180

BLK - BLACK
WH - WHITE

FINISH

Dimensions



Detection Pattern

