



VEK2-LED78W

LED

The VEK2-LED78W is a multi-purpose fixture that can be used to replace wall packs and floods up to 400 watt metal halide. The head can be aimed up or down, allowing you to deliver the light where it is needed. The VEK2-LED78W comes complete with a photocell, available in 120 volts and 347 volts. Standard finish is bronze or white. Ideal for use on building perimeters, loading docks, schools, townhouse complexes and apartment buildings. For lower wattage units please see VEK2-LED52W and VEK1-LED26W.

HOUSING Die cast aluminum with heat fins with a powder coat paint finish. Unit has five conduit entries. Mounts to standard junction box.

DRIVER 120 or 347 volts total power consumed 78 watts.

LEDs Four LED arrays each with six LEDs, 5242 lumens out of the fixture, 5000k, CRI > 70. LEDs operating temperature is -40°C to 40°C.

LENS Clear tempered glass with a gasket.

HARDWARE Tamper proof stainless steel.

FINISH Standard finishes are Bronze or White. Please consult factory for custom colour.

PHOTOCELL Included



OPERATING TEMPERATURE
-40°C to 40°C.

RATED IP65

WARRANTY 5 YEARS

APPROVALS cULus,

APPROVED BY DLC

MEETS LM-79, LM-80

www.rabdesign.ca

Catalog Code

VEK2-LED78W

120, 347

LED COLOUR

BRZ - BRONZE
WH - WHITE
CC - CUSTOM COLOUR

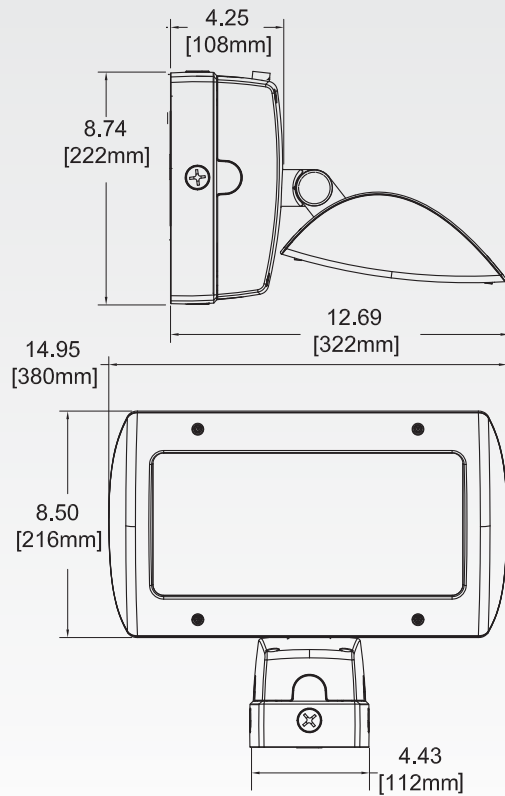
WATTAGE

PC

PC - PHOTOCELL

OPTICS

Dimensional Data



Photometric Data

CATALOG NUMBER: VEK2-LED78W-120-BRZ-PC

FILENAME: G905.IES

IESNA:LM-63-2002

[TEST] LSCG905

[ISSUEDATE] 10-07-2013

[MANUFAC] RAB DESIGN LIGHTING INC.

[MORE] TORONTO, ONTARIO

[LUMCAT] VEK2-LED78W-120-BRZ-PC

[LUMINAIRE] RAB WALL MOUNTED WALL PACK ADJUST. LUMINAIRE

[MORE] WITH DIFFUSE REFLECTOR AND CLEAR LENS

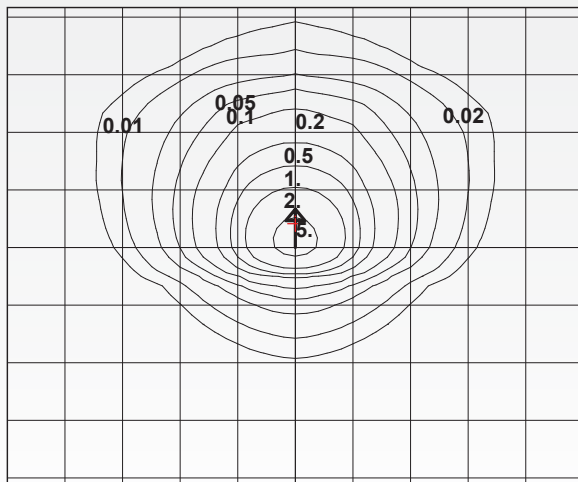
[LAMP] FOUR WHITE ARRAY LEDS. LUMEN OUTPUT = 5242 LMS.

[OTHER] ABSOLUTE PHOTOMETRY

SUMMARY DATA

EFFICIENCY (Total):	- 525025.9 %
EFFICIENCY (Down / Up):	- 525025.9 % / 0.0 %
EFFICIENCY (Street / House):	0.0 % / 0.0 %
LUMENS/LAMP:	-1
NO. OF LAMPS:	1
LUMINOUS OPENING:	POINT SOURCE
Width:	0.00 (Feet)
Length:	0.00
Height:	0.00
INPUT WATTS:	79.45

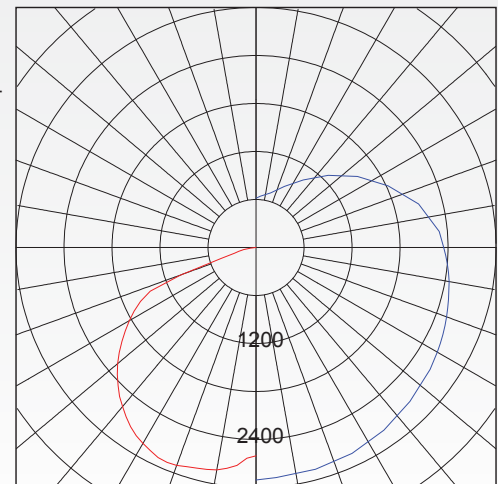
ISO-ILLUMINANCE DIAGRAM



Mounting Height = 20 Feet. Each box represents one mounting height.

PLANE & CONE DIAGRAM

Mounting Height	Multiplier
10	4.000
15	1.778
20	1.000
25	0.640
30	0.444
35	0.327
40	0.250
45	0.198
50	0.160



+ = Point of max candela Max plane at H = 0 Max cone at V = 22.5

MAX CANDLEPOWER: 2906

www.rabdesign.ca