



HLS-LED-2H-BLACK

LED

The HLS-LED-2H twin head work-lite replaces the traditional two headed quartz work-lite. The heads are adjustable for precise aiming. Frame and legs are made from extruded aluminum painted black. The center pole extends up to 74" high. Handle is made of durable rubber. LED head has a clear polycarbonate lens with an aluminum housing painted black.

FRAME Extruded aluminum with a black powder coat paint finish.

HANDLE Black rubber.

LEDs Each LED head has Nine LEDs emitting 1800 lumens out of each head. LED colour temperature 5000k. total power consumption 2 x 27 watts.

CORD 8.25 foot cord with 3 prong plug.

VOLTAGE 120 volts AC 60 Hertz.

LUMENS 3,600

OPERATING TEMPERATURE -40°C TO 50°C

RATING IP55

WARRANTY 5 year warranty.

cCSAus Approved

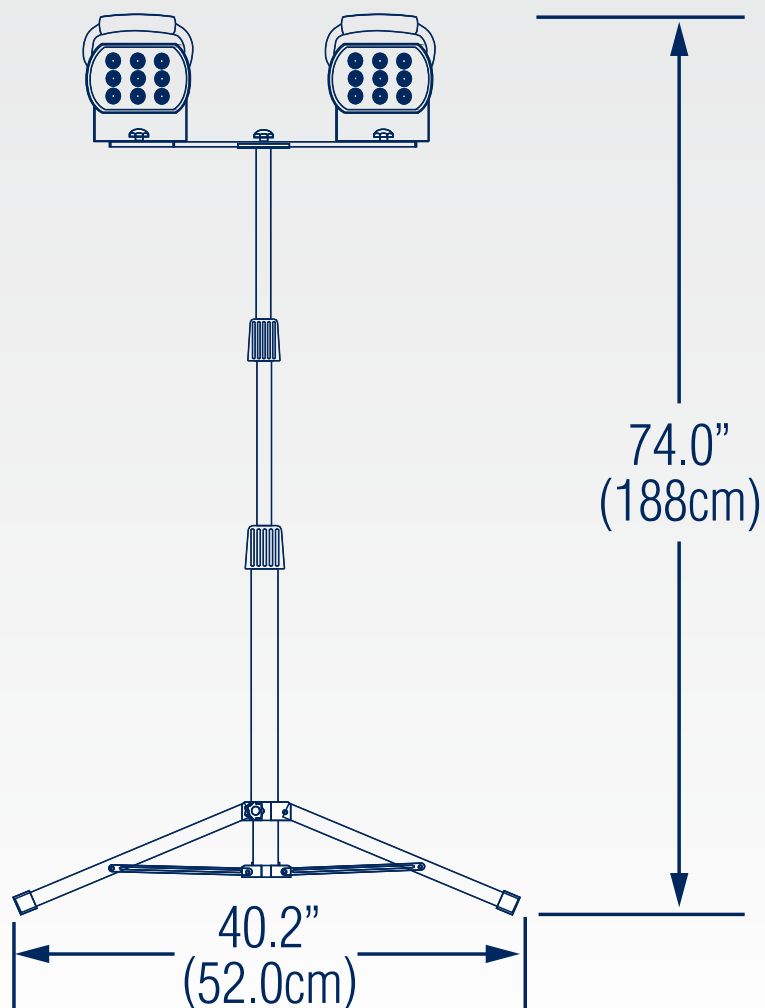


www.rabdesign.ca

Catalog Code

HLS-LED-2H-BLACK

Dimensions



www.rabdesign.ca