

RECEPTACLES

UGRC CONNECTORS



Connector with Breech-Lock Cap



"3rd Hand" Plug Operation

Class I, Div. 1 & 2, Groups B,C,D^①
 Class I, Zones 1 & 2, Groups IIB+H₂, IIA^①
 Class II, Div. 1 & 2, Groups F,G^②
 Class III
 NEMA 3, 4X*



FEATURES-SPECIFICATIONS

ACCEPTOR®

CONNECTORS

The ACCEPTOR® UGRC Connector complements UGP/UGR Plugs and Receptacles, as well as Ground Fault Protected UGFI and UGRGF Models.

Used with Acceptor plugs, connectors can extend the reach for hazardous location rated portable equipment such as hand lamps. Connectors eliminate the need for user created corded box mounted receptacles. UGRC Connectors are interchangeable and classified for use with other NEMA bladed type explosion-proof and dust ignition proof plugs, including Crouse-Hinds® Ark-Gard®2 and Appleton® ULine®.

Features

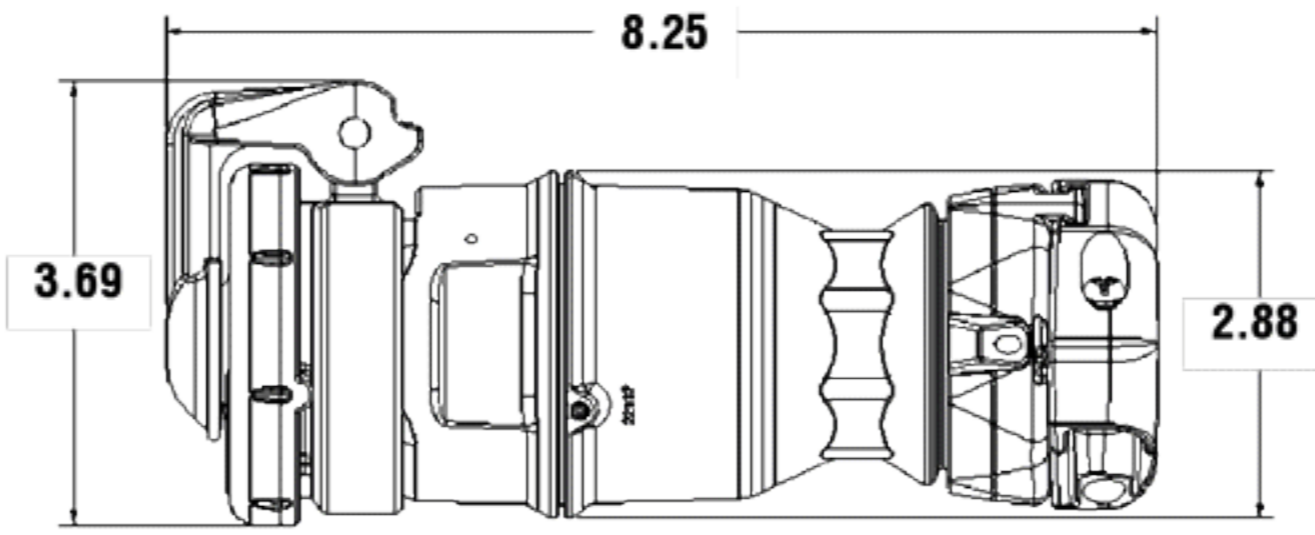
- Available with the exclusive Breech-Lock Cap (see R5 for more info) - patented notch provides "3rd hand" plug operation (holds lid open while one hand operates plug, and other holds connector).
- Factory Sealed Construction
- Suitable for 14 or 12 gauge SOOW or similar cable
- Copper-free aluminum (less than 4/10 of 1%) alloy resists corrosion
- Electrostatically applied and baked powder epoxy/polyester finish
- Dead Front Construction with integral switch - requires Hazardous Rated NEMA Bladed plug for operation

Ark-Gard® is a registered trademark of Crouse-Hinds® U-Line® is a registered trademark of Appleton Electric Company®

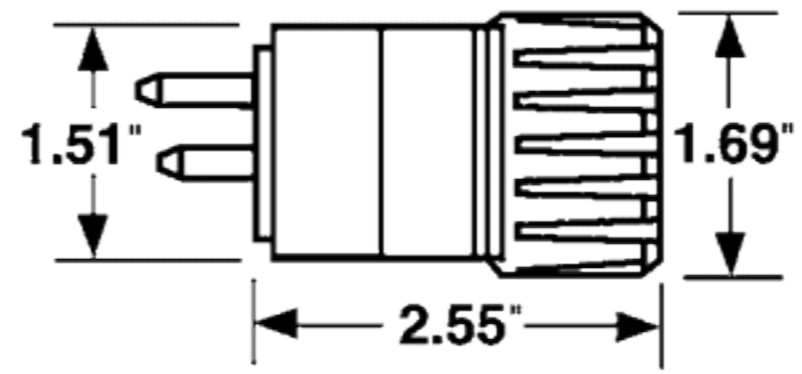
Industrial Applications

- Petroleum Refineries
- Chemical/Petrochemical Plants
- Oil Rigs & Platforms
- Wet/Corrosive Environments
- Grain Elevators

Dimensions



UGRC Connector
 Breech cap model shown, Flip cap model dimensions are similar



UGP Plug



Connector shown with Acceptor UGRP receptacle mounted in explosion proof Quantum® enclosure



Flip Cap

NEMA CONFIGURATION	125V CONNECTOR CAP STYLE	CATALOG NUMBER	WEATHER RATING
2 POLE 3 WIRE 5-20R with T-slots 	Breech-Lock with Notch Flip Type	UGRC-20231B UGRC-20231F	N4X* N3**
	Killark 125V Plugs 20 Amp 15 Amp	UGP-20231QW UGP-15231QW	
2 POLE 3 WIRE 6-20R with T-slots 	250V CONNECTOR CAP STYLE		
	Breech-Lock with Notch Flip Type	UGRC-20232B UGRC-20232F	N4X* N3**
	Killark 250V Plugs 20 Amp 15 Amp	UGP-20232QW UGP-15232QW	

*Breech cap models N4X with lid closed and turned, N3 When Plug inserted Hinge Up
 **Flip Lid models N3 with hinge in UP position with or without plug
 Replacement Cap and Hinge Kits: Breech KIT-173B, Flip KIT-173
 ①CSA certified Class I Div.I for Canada and/or other jurisdictions accepting CSA.
 ②CSA_{us} Class II, Groups F & G for US and Canada.
 ③Remove QW in catalog number for Standard Wiring type plug.