


**ALLEN/SLOT
TERMINALS**


Plug

Connector

- 100 Amp 600VAC/250VDC; 50-400 Hertz NEMA 3, 4, 4X^①
- **PLUGS ONLY^②**:
Class I, Div. 1 & 2, Groups B,C,D; NEMA 7 B,C,D
Class I, Zones 1 & 2, IIB+H₂, IIA
Class II, Div. 1 & 2, Groups F & G; NEMA 9 F,G; Class III

Wire Range

Regular Stranding: #4 - #2

Extra flex: #4 - #2

File No. E10757 Certified File No. LR111846



E



C



Receptacle

FEATURES-SPECIFICATIONS
100 AMP PLUGS & CONNECTORS WITH ALLEN TERMINALS 5/32"

GROUND STYLE	CIRCUIT	GROMMET RANGE	CATALOG NUMBER	
			PLUG	CONNECTOR
Style I	2W2P	.88 - 1.68 IN	VP1022	VPR1022
	3W3P	.88 - 1.68 IN	VP1033	VPR1033
	4W4P	.88 - 1.68 IN	VP1044	VPR1044
Style II	2W3P	.88 - 1.68 IN	VP1023	VPR1023
	3W4P	.88 - 1.68 IN	VP1034	VPR1034

MODIFICATIONS*

CATALOG NUMBER	DESCRIPTION
S39	Reverse service for receptacles, plugs & connectors
S37	Polarization for receptacles, plugs & connectors

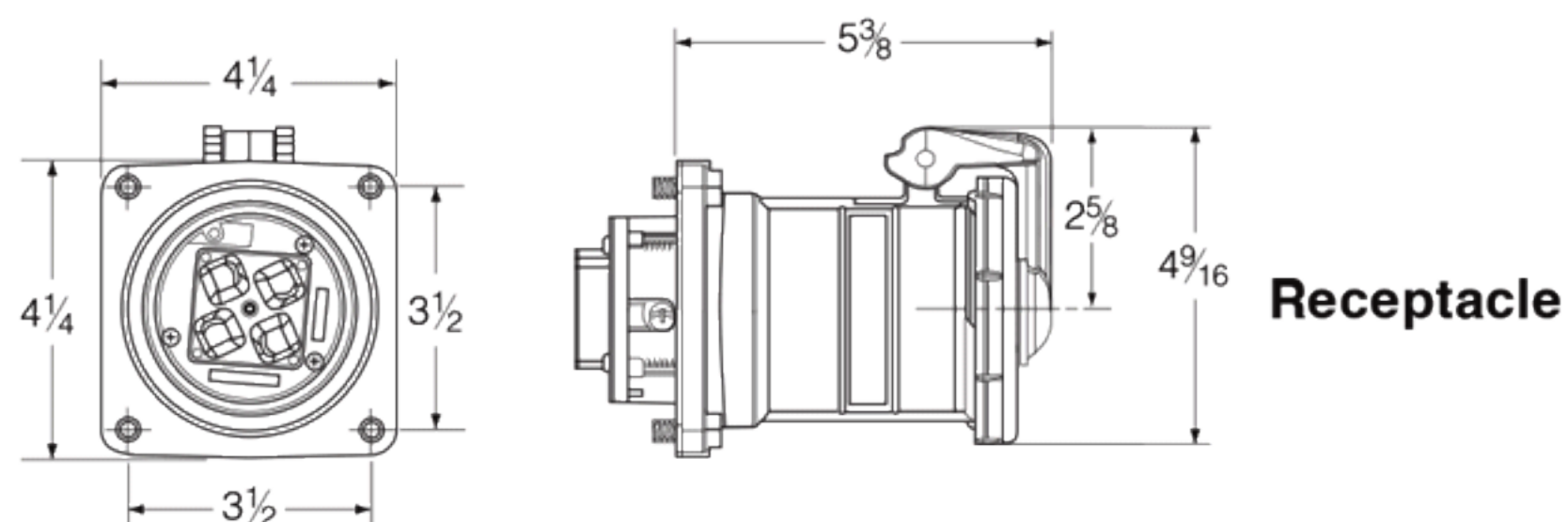
*See page 3 for more information on these options.

100 AMP RECEPTACLES & BACK BOXES WITH ALLEN TERMINALS 5/32"

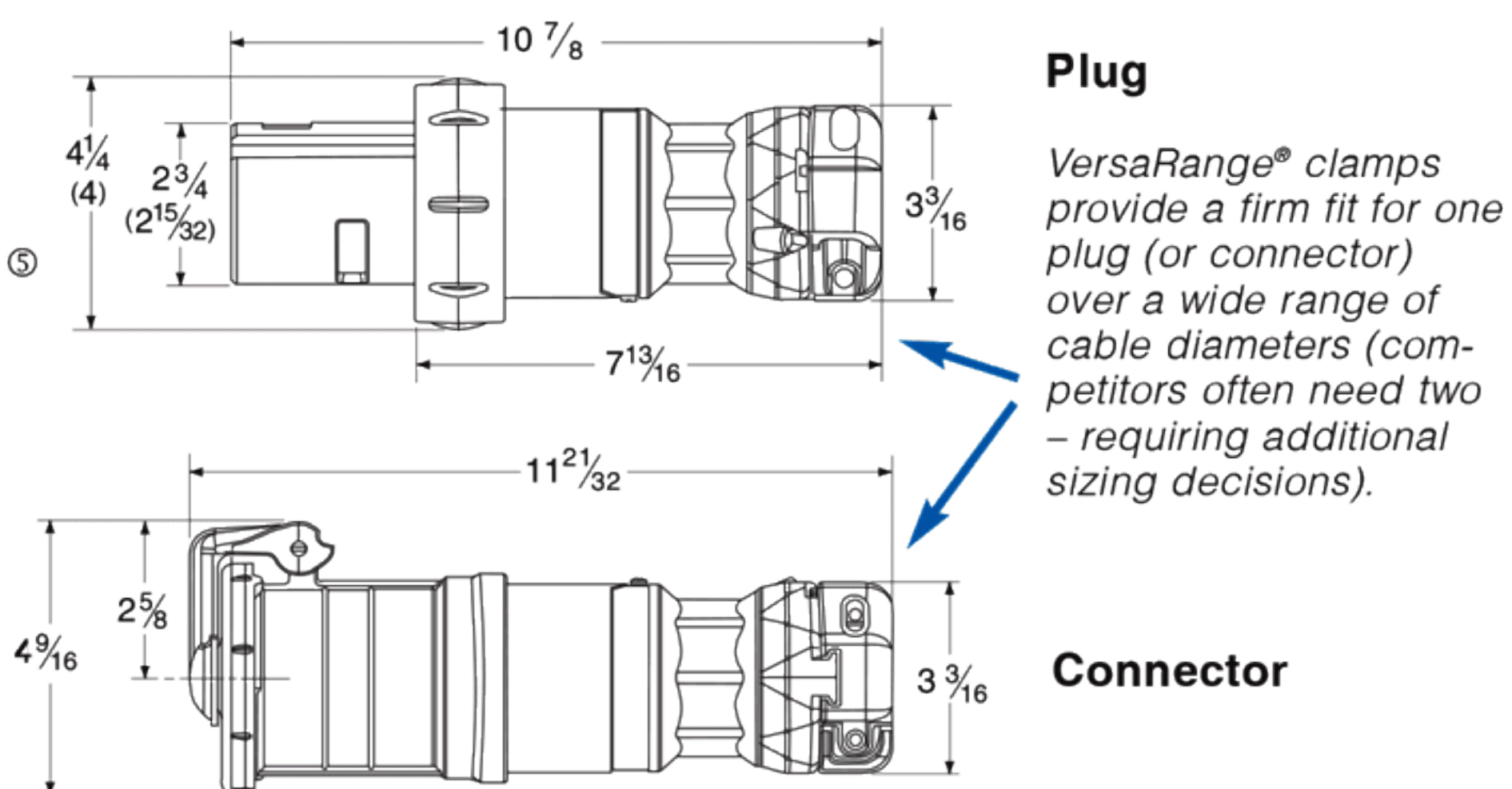
GROUND STYLE	CIRCUIT	CATALOG NUMBER		
		E ^③ TYPE	C ^③ TYPE	RECEPTACLE ONLY
Style I	2W2P	VR1022E5	VR1022C5	VR1022
	3W3P	VR1033E5	VR1033C5	VR1033
	4W4P	VR1044E5	VR1044C5	VR1044
Style II	2W3P	VR1023E5	VR1023C5	VR1023
	3W4P	VR1034E5	VR1034C5	VR1034
Splice box only w/adaptor ^{③④}		VJ57	VJC57	Angle adapter only VJA100

③ 100 Amp Back Boxes are available in 1", 1-1/4", 1-1/2" & 2" conduit sizes. Size listed above is 1-1/2". For other available sizes, change the BOLD "5" in either the assembly or box only number as follows: **3**=1", **4**=1-1/4", **5**=1-1/2", **6**=2". Assembly catalog numbers are listed for ease of ordering or specification and devices are shipped as components.

④ 100 Amp Boxes & Adapters also fit 60 Amp receptacles. Adapter only can be used to attach receptacle at an angle to a standard sheet metal box.



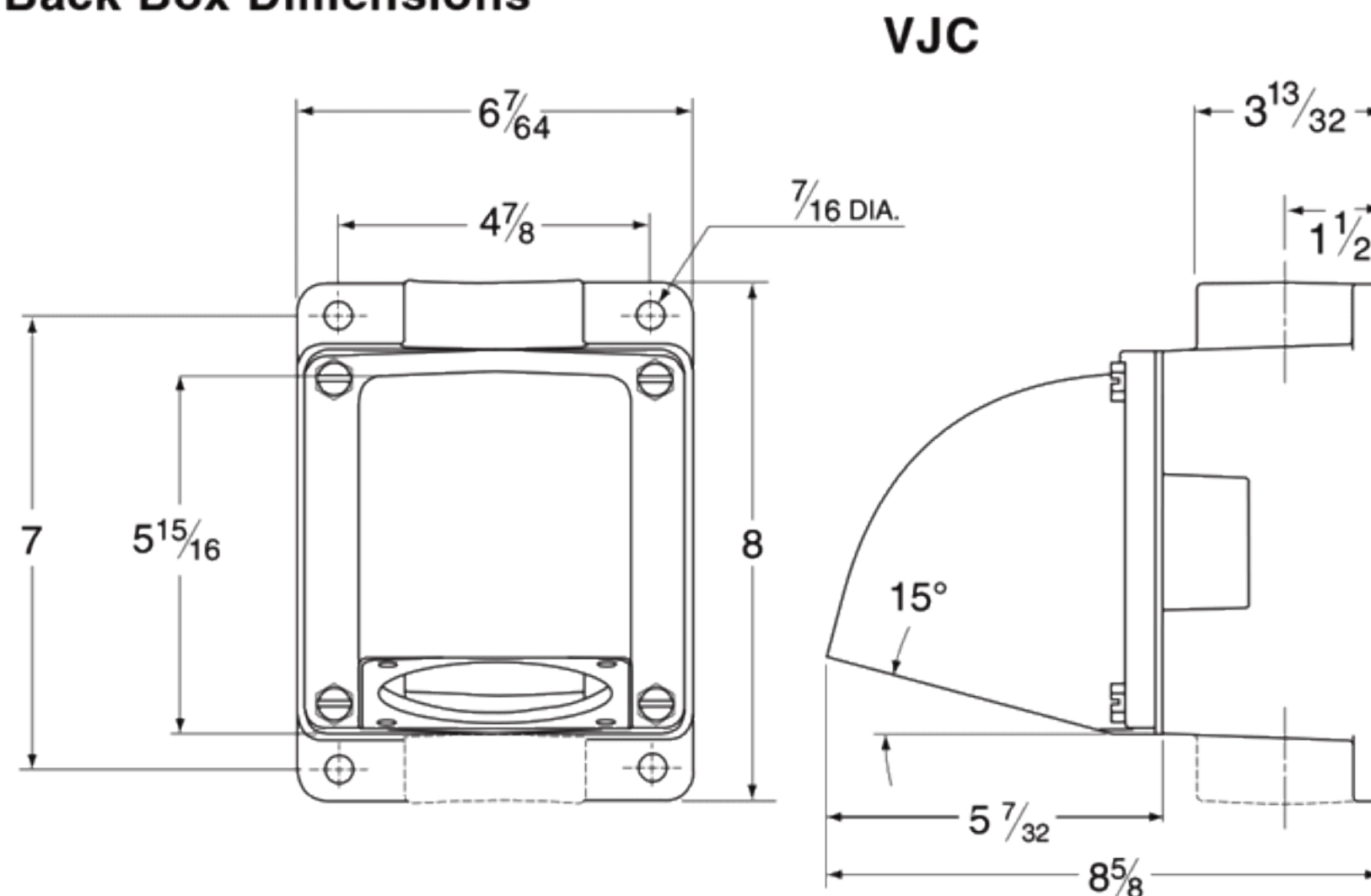
Receptacle



Plug

VersaRange® clamps provide a firm fit for one plug (or connector) over a wide range of cable diameters (competitors often need two - requiring additional sizing decisions).

Connector

Back Box Dimensions

Feed through style shown

① Components are interchangeable & UL classified with other UL 1686 configured devices (when installed in accordance with instructions furnished with device). Assemblies containing components from other manufacturers would have the NEMA type rating of the lowest rated device.

② Plugs hazardous suitable when mated with properly rated receptacles configured to use UL 1686 type plugs, such as VersaMate VBQ.

⑤ Dimensions in () are 3 pole devices; balance are 4 pole.

