



ORDERING INFORMATION

Connector Description	SC Catalog Number	LC Catalog Number
50/125 10G MM-OM3 900/250 μM	FCSC900K50GM12	FCLC900K50GM12
50/125 MM-OM2 900/250 μM	FCSC900K50M12	FCLC900K50M12
62.5/125 MM-OM1 900/250 μM	FCSC900K62M12	FCLC900K62M12
9/125 UPC SM 900/250 μM	FCSC900KSM12	FCLC900KSM12
9/125 APC SM 900/250 μM	FCSC900KASM12	-

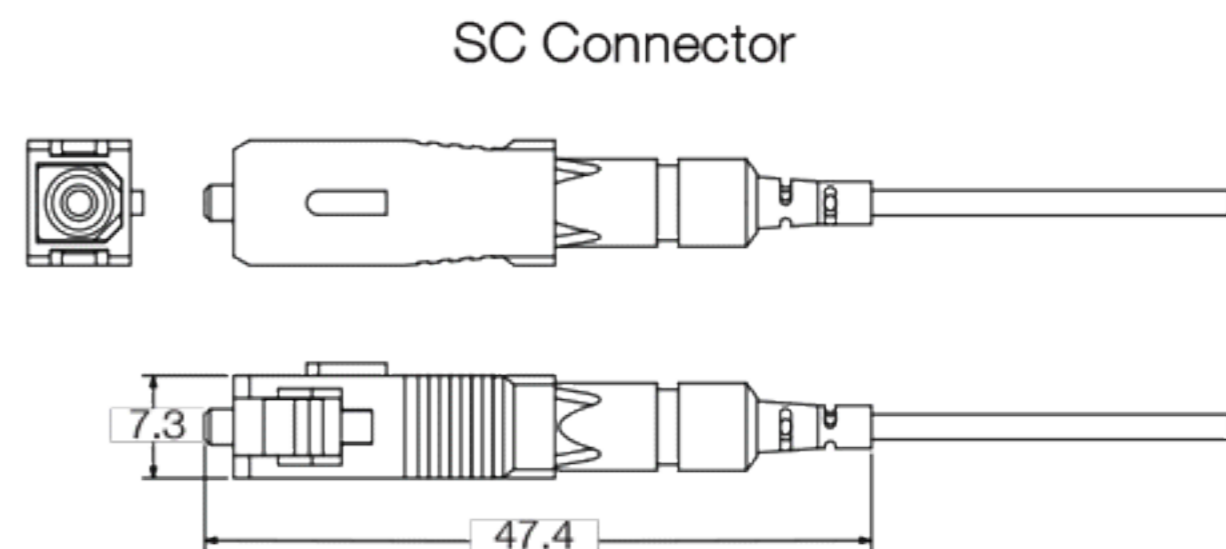
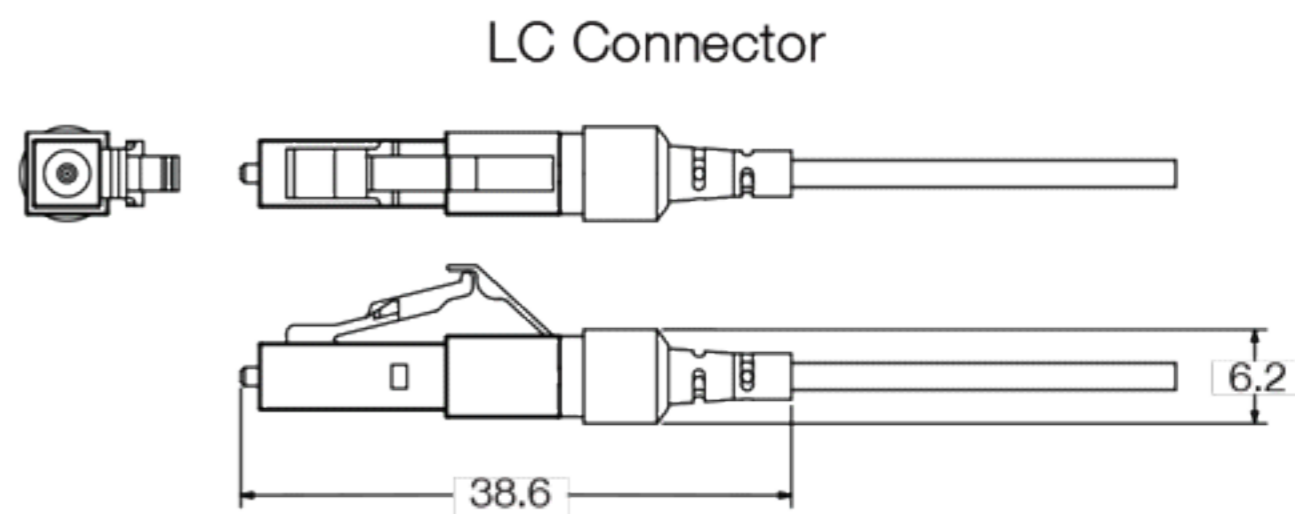
Housing Colors	Fiber Type
Aqua	50/125 10G MM-OM3
Black	50/125 MM-OM2
Beige	62.5/125 MM-OM1
Blue	9/125 UPC SM
Green	9/125 APC SM

Delivery: Box of 12 individually bagged connectors with optional termination aid (see instructions).

ACCESSORIES

Description	Catalog Number
Fiber Cleaver, Multimode	OFCLV3
Precision Cleaver, SM / MM	OFCLV4
Fiber Strip Tool, 250/900/2.0/3.0mm	OFSTRIP2
Fiber Microscope (Use LC Adapter)	OFSCOPE1
Laser Visual Fault Locator	OFVFLKT1
Fiber Clamp for B/O Tubing	OFCLMP1
6 Fiber 900 μM Break Out Tube Kit	OFBOKT6
12 Fiber 900 μM Break Out Tube Kit	OFBOKT12

DIMENSIONS



Dimensions are in mm.

INTEGRATED SOLUTIONS



Station & Cross-Connect Terminations

- FSP-Series Patch Panel X-Connections
- UDX Multimedia Panel Snap Fitting
- Snap-Fit Workstation Connections
 - Hubbell I-Station and IFP Plates
 - FPR and FCR Series Enclosures
 - AMO, OFPPL and ISB Housings

Delivery Systems Solutions

- SystemOne, Poke Throughs & Floor Boxes
- Multi-Connect Wall Boxes
- Raceway Outlets: Metal & Non-Metallic

TYPICAL APPLICATION

- Fiber Cleave quality and cleaved length is critical. Refer to the product instructions and published tips on fiber cleaving and terminating pre-polish connectors. Broken fibers will cause failure. The installer is responsible for using proper fiber cleaving procedures.
- Using the OFCLV4 precision cleave tool is recommended for all terminations to optimize cleave quality and optical transmission.
- Refer to Hubbell instructions and technical publications for 250 micron OSP cable terminations. Strip length and break-out tube clamping during termination is critical to prevent fiber gaps.
- Contact Hubbell Premise Wiring Technical Services for additional publications on cleaving and termination.



Cleaved Fiber



Broken Fiber



Optimum Fiber Splice

- ✓ Good cleave quality
- ✓ Zero cleave angle
- ✓ No gap, no chips
- ✓ No contamination

